

QDDC-0.5-32-50-30-N

0.5~32MHz, 50W, 30dB

Features:

* Low Insertion Loss

Applications:

- * Amplifiers
- * Transmitter
- * Laboratory Test
- * Radar

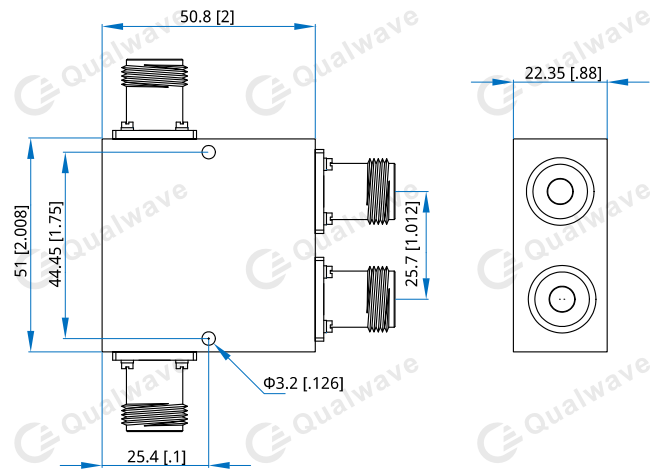
Electrical

Frequency:	0.5~32MHz
Insertion Loss:	0.2dB max.
Coupling:	30±1dB
Directivity:	20dB min.
VSWR (Mainline):	1.1 max.
Average Power:	50W

Mechanical

Size ^{*1} :	50.8*51*22.35mm 2*2.008*0.88in
Connectors:	N Female
Mounting:	2-Φ3.2mm through-hole

[1] Exclude connectors

Outline Drawings


Unit: mm [in]

Tolerance: ±0.3mm [±0.012in]

How To Order
QDDC-0.5-32-50-30-N

Customization is available upon request.