

## QDDC-100-1000-K2-20-N

0.1~1GHz, 200W, 20dB

Features:  
\* Low Insertion Loss

Applications:  
\* Amplifiers  
\* Transmitter  
\* Laboratory Test  
\* Radar

### Electrical

Frequency:	0.1~1GHz
Insertion Loss:	0.6dB max.
Coupling:	20±1dB
Directivity:	20dB min.
Coupling Flatness:	±1dB max.
VSWR (Mainline):	1.2 max.
Average Power:	200W

### Mechanical

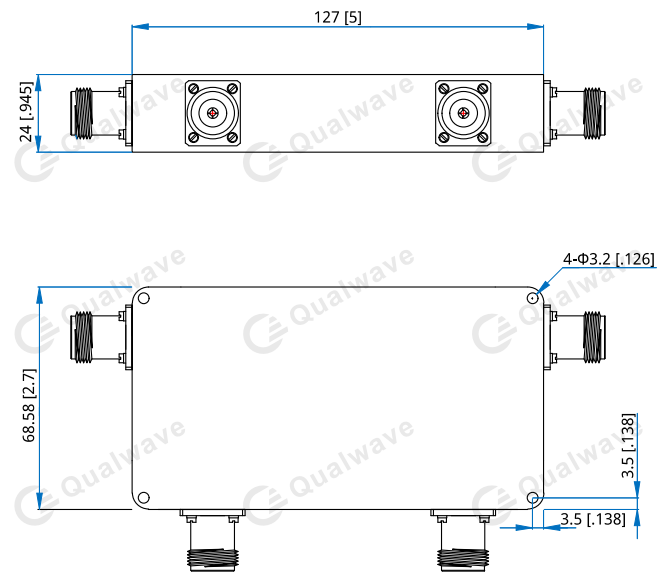
Size*1:	127*68.58*24mm 5*2.7*0.945in
Connectors:	N Female
Mounting:	4-Φ3.2mm through-hole

[1] Exclude connectors

### Environmental

Operating Temperature:	-40~+85
------------------------	---------

### Outline Drawings



Unit: mm [in]

Tolerance: ±0.3mm [±0.012in]

### How To Order

**QDDC-100-1000-K2-20-N**

Customization is available upon request.