

QDDC-100-3000-K25-45-S

0.1~3GHz, 250W, 45dB

Features:

- * Broadband
- * Low Insertion Loss

Applications:

- * Amplifiers
- * Transmitter
- * Laboratory Test
- * Radar

Electrical

Frequency:	0.1~3GHz
Coupling:	45±2dB
Insertion Loss:	0.4dB max.
VSWR (Mainline):	1.25max.
Directivity:	15dB min.
Coupling Flatness:	±2dB max.
Impedance:	50Ω
Average Power:	250W max.

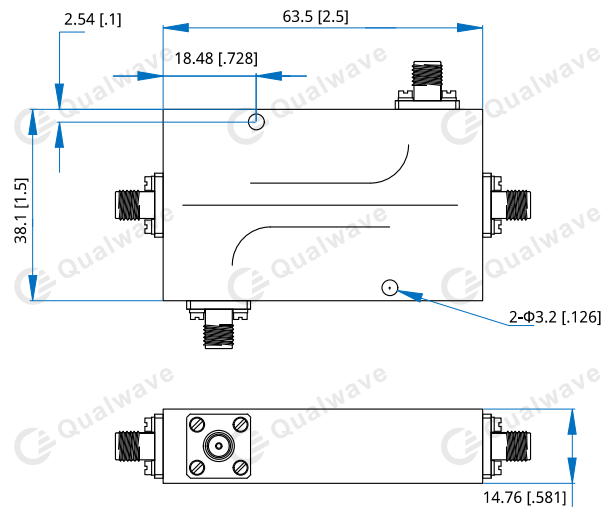
Mechanical

Size ^{*1} :	63.5*38.1*14.76mm 2.5*1.5*0.581in
Connectors:	SMA Female
Mounting:	2-Φ3.2mm through-hole

[1] Exclude connectors.

Environmental

Operation Temperature:	-40~+85°C
------------------------	-----------

Outline Drawings


Unit: mm [in]

Tolerance: 0.3mm [±0.012in]

How To Order

QDDC-100-3000-K25-45-S

Customization is available upon request.