

QDDC-1000-6000-K1

1~6GHz, 100W

Features:
* Low Insertion Loss

Applications:
* Amplifiers
* Transmitter
* Laboratory Test
* Radar

Electrical

Frequency: 1~6GHz
Average Power: 100W
Impedance: 50Ω

Coupling (dB)	Insertion Loss (dB max.)	Coupling Flatness (±dB max.)	Directivity (dB min.)	VSWR (max.)	Connectors
10±0.8	0.7	0.8	10	1.4	N Female
40±1.5	0.7	1.0	16	1.4	N Female
40±1	0.4	1.3	12	1.35 (Mainline) 1.8 (Coupling)	N Female & SMA Female

Mechanical

Size*1: 38.1*38.1*27.6mm
1.5*1.5*1.087in
Size*1: 92*38*25.4mm
3.622*1.496*1in
Mounting: 2-Φ3.8mm through-hole
4-Φ2.8mm through-hole

[1] Exclude connectors

Environmental

Operating Temperature: -40~+85°C
-55~+85°C (Outline B)

How To Order

QDDC-1000-6000-K1-X-Y

X: Coupling:

10 - Outline A

40 - Outline A, B

Y: Connector type

Connector naming rules:

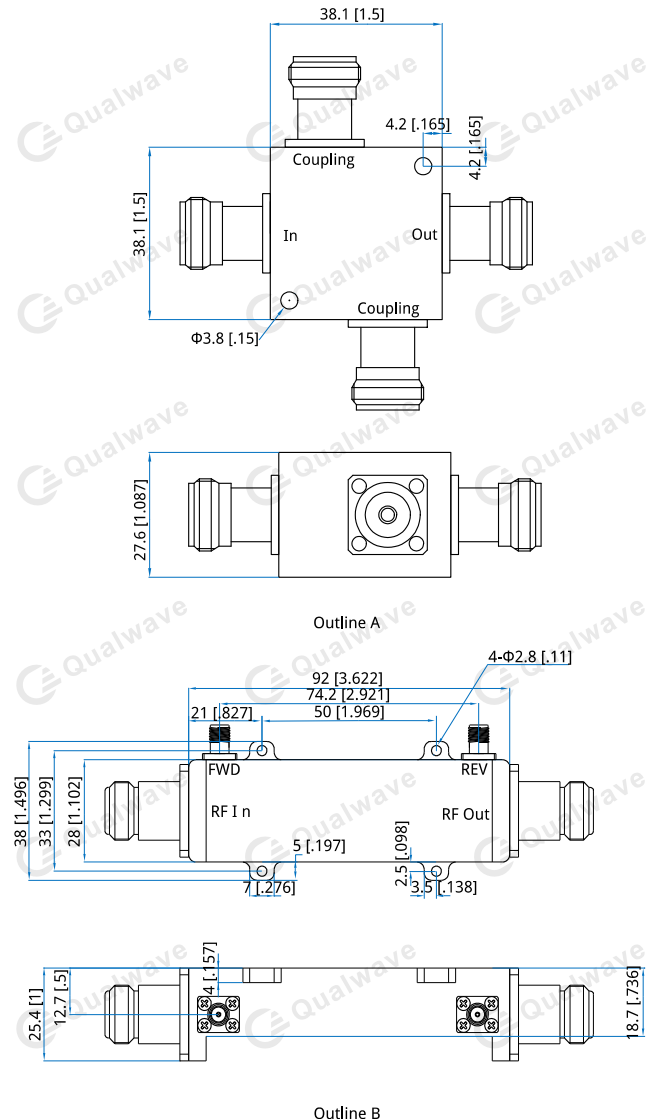
N - N female (Outline A)

NS- N female & SMA female (Outline B)

Examples:

To order a dual directional coupler, 1~6GHz, 100W, 40dB, N female, specify QDDC-1000-6000-K1-40-N.

Outline Drawings



Unit: mm [in]

Tolerance: ±0.2mm [±0.008in]

Customization is available upon request.