

QDDC-1270-1305-1K-30-7-1

1.27~1.305GHz, 1000W, 30dB

Features:
* Low Insertion Loss

Applications:
* Amplifiers
* Transmitter
* Laboratory Test
* Radar

Electrical

Frequency:	1.27~1.305GHz
Coupling:	30±1dB
Coupling Flatness:	±0.5dB max.
VSWR (Mainline):	1.15 max.
Insertion Loss:	0.15dB max.
Directivity:	30dB min.
Power Handling:	1000W

Mechanical

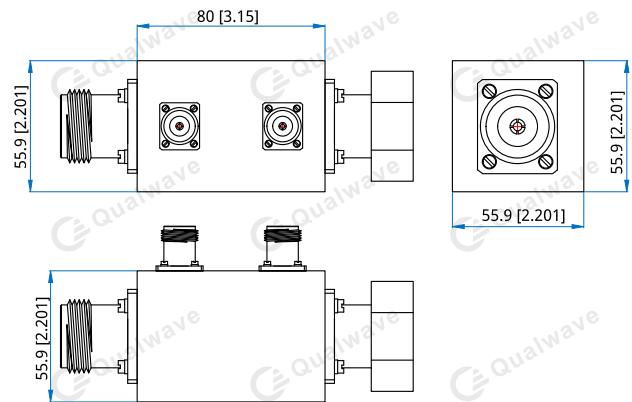
Size ^{*1} :	80*55.9*55.9mm 3.15*2.201*2.201in
RF In Connectors:	7/16 DIN female
RF Out Connectors:	7/16 DIN male
Coupling Connectors:	N female

[1] Exclude connectors

Environmental

Operating Temperature:	-40~+85°C
------------------------	-----------

Outline Drawings



Unit: mm [in]

Tolerance: ±0.3mm [±0.012in]

How To Order

QDDC-1270-1305-1K-30-7-1

Customization is available upon request.