

QDDC-18000-26500-30

18~26.5GHz, 30W

Features:
 * Broadband
 * Low Insertion Loss

Applications:
 * Amplifiers
 * Transmitter
 * Laboratory Test
 * Radar

Electrical

Frequency:	18~26.5GHz
Directivity:	12dB min.
Coupling Flatness:	±0.5dB max.
Impedance:	50Ω
Average Power:	30W max.

Coupling (dB)	Insertion Loss (dB max.)	VSWR (max.)
20±0.5	1.0	1.6
30±0.5	0.9	1.6

Mechanical

Connectors: SMA Female

Environmental

Operation Temperature: -55~+85°C
 Non-operation Temperature: -55~+100°C

How To Order

QDDC-18000-26500-30-X-Y

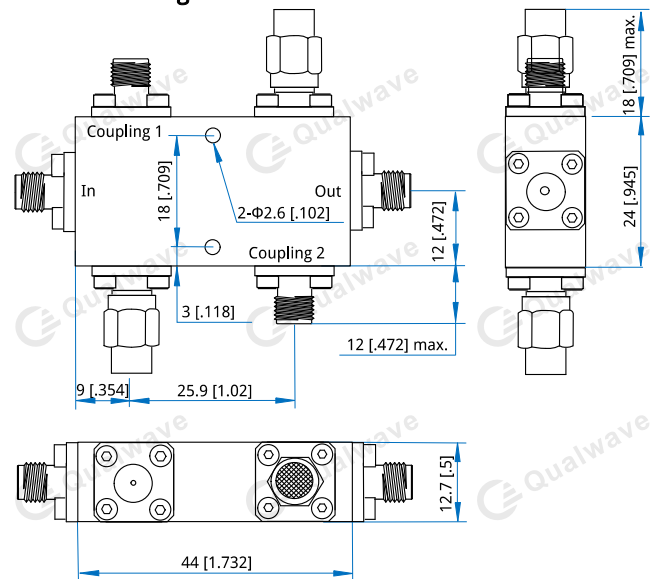
X: Coupling:
 20, 30dB - Outline A
 Y: Connector type

Connector naming rules:
 S - SMA female

Examples:
 To order a dual directional coupler, 18~26.5GHz, 30W, 20dB, SMA female, specify QDDC-18000-26500-30-20-S.

Customization is available upon request.

Outline Drawings



Outline A

Unit: mm [in]
 Tolerance: .x±0.5mm [±0.02in], .xx±0.1mm [±0.004in]