

## QDDC-18000-40000-20

### 18~40GHz, 20W

#### Features:

- \* Broadband
- \* Low Insertion Loss

#### Applications:

- \* Amplifiers
- \* Transmitter
- \* Laboratory Test
- \* Radar

#### Electrical

Frequency:	18~40GHz
Directivity:	10dB min.
Coupling Flatness:	±0.7dB max.
Impedance:	50Ω
Average Power:	20W max.

Coupling (dB)	Insertion Loss (dB max.)	VSWR (max.)
10±0.7	2.7	1.7
30±0.7	1.3	1.7

#### Mechanical

Connectors: 2.92mm Female

#### Environmental

Operation Temperature: -55~+85°C  
 Non-operation Temperature: -55~+100°C

#### How To Order

**QDDC-18000-40000-20-X-Y**

X: Coupling:

10, 30dB - Outline A

Y: Connector type

Connector naming rules:

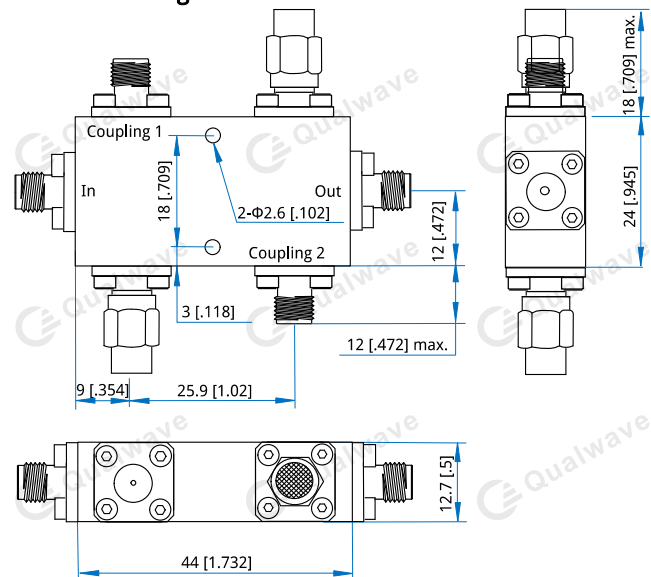
K - 2.92mm female

Examples:

To order a dual directional coupler, 18~40GHz, 20W, 30dB, 2.92mm female, specify QDDC-18000-40000-20-30-K.

Customization is available upon request.

#### Outline Drawings



Outline A

Unit: mm [in]

Tolerance: .x±0.5mm [±0.02in], .xx±0.1mm [±0.004in]