

QDDC-2-32-1K

2~32MHz, 1000W

Features:
* Low Insertion Loss

Applications:
* Amplifiers
* Transmitter
* Laboratory Test
* Radar

Electrical

| | |
|-----------------|---------------------------------|
| Frequency: | 2~32MHz |
| Insertion Loss: | 0.5dB max. 0.3dB max. (50dB) |
| Coupling: | 40±1, 50±1.5dB |
| Flatness: | ±0.5dB max. |
| Directivity: | 20dB min. |
| VSWR: | 1.2 max. |
| Average Power: | 1000W |

Mechanical

| | |
|----------------------|--------------------------------------|
| Size ^{*1} : | 120*55.9*30mm 4.724*2.201*1.181in |
| Connectors: | N female, SMA female |
| Mounting: | 4-Φ3.2mm through-hole |

[1] Exclude connectors

Environmental

Operating Temperature: -40~+85°C

How To Order

QDDC-2-32-1K-X-Y

X: Coupling: 40, 50

Y: Connector type

Connector naming rules:

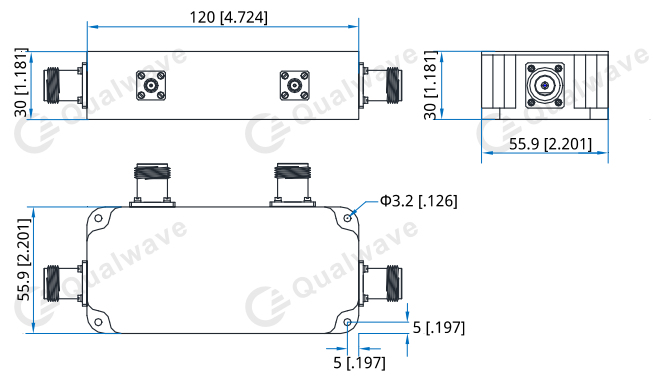
NS- N female & SMA female

Examples:

To order a dual directional coupler, 2~32MHz, 1000W, 50dB, N female & SMA female, specify QDDC-2-32-1K-50-NS.

Customization is available upon request.

Outline Drawings



Unit: mm [in]

Tolerance: ±0.3mm [±0.012in]