

QDDC-2000-18000-30

2~18GHz, 30W

Features:
 * Broadband
 * Low Insertion Loss

Applications:
 * Amplifiers
 * Transmitter
 * Laboratory Test
 * Radar

Electrical

Frequency:	2~18GHz
Directivity:	14dB min.
Coupling Flatness:	±0.7dB max.
Impedance:	50Ω
Average Power:	30W max.

Coupling (dB)	Insertion Loss (dB max.)	VSWR (max.)
10±0.7	2.4	1.5
20±0.7	0.9	1.5
30±0.7	0.8	1.5

Mechanical

Connectors: SMA Female

Environmental

Operation Temperature: -55~+85°C
 Non-operation Temperature: -55~+100°C

How To Order

QDDC-2000-18000-30-X-Y

X: Coupling:

10dB - Outline A

20, 30dB - Outline B

Y: Connector type

Connector naming rules:

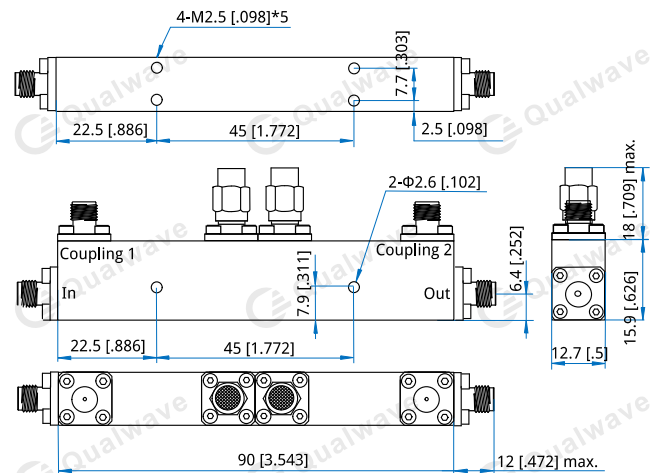
S - SMA female

Examples:

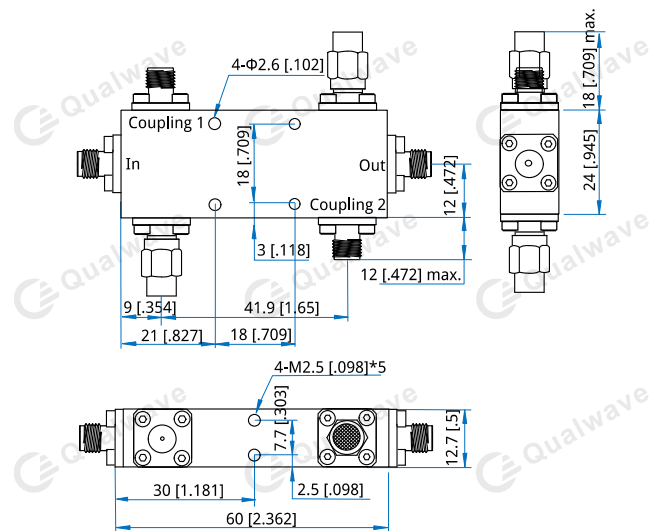
To order a dual directional coupler, 2~18GHz, 30W, 20dB, SMA female, specify QDDC-2000-18000-30-20-S.

Customization is available upon request.

Outline Drawings



Outline A



Outline B

Unit: mm [in]

Tolerance: .x±0.5mm [±0.02in], .xx±0.1mm [±0.004in]