

## QDDC-2000-26500-30

2~26.5GHz, 30W

Features:  
 \* Broadband  
 \* Low Insertion Loss

Applications:  
 \* Amplifiers  
 \* Transmitter  
 \* Laboratory Test  
 \* Radar

### Electrical

Frequency: 2~26.5GHz  
 Impedance: 50Ω  
 Average Power: 30W max.

Coupling (dB)	Insertion Loss (dB max.)	VSWR (max.)	Directivity (dB min.)	Coupling Flatness (dB max.)
10±0.8	2.8	1.6	14	±0.8
20±0.8	1.2	1.6	12	±0.8
30±0.8	1.1	1.6	12	±0.8

### Mechanical

Connectors: SMA Female

### Environmental

Operation Temperature: -55~+85°C  
 Non-operation Temperature: -55~+100°C

### How To Order

**QDDC-2000-26500-30-X-Y**

X: Coupling:

10dB - Outline A

20, 30dB - Outline B

Y: Connector type

Connector naming rules:

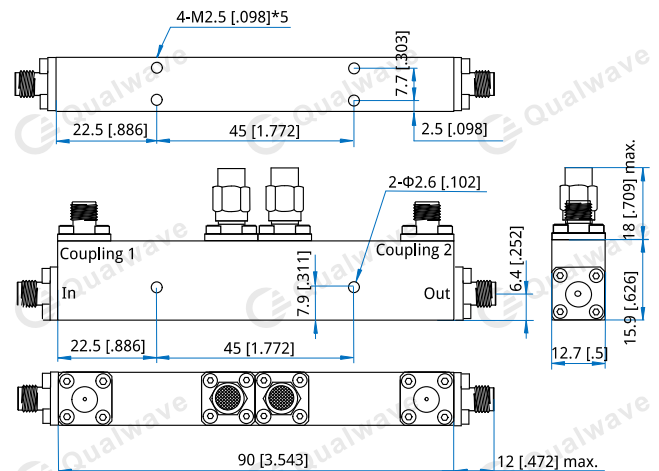
S - SMA female

Examples:

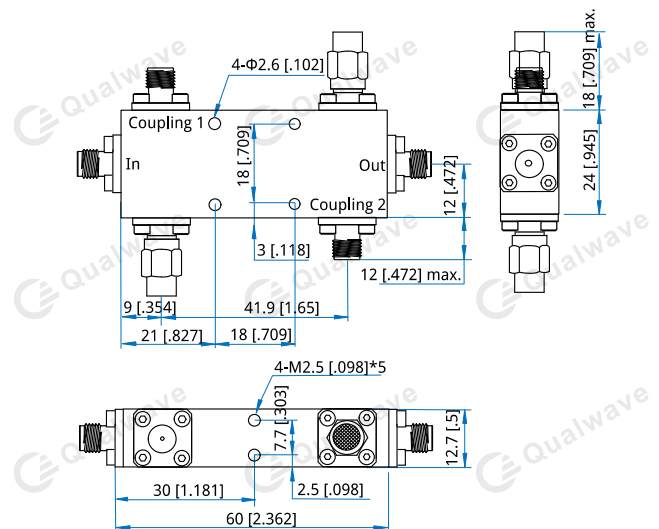
To order a dual directional coupler, 2~26.5GHz, 30W, 20dB, SMA female, specify QDDC-2000-26500-30-20-S.

Customization is available upon request.

### Outline Drawings



Outline A



Outline B

Unit: mm [in]

Tolerance: .x±0.5mm [±0.02in], .xx±0.1mm [±0.004in]