

QDDC-2000-40000-20

2~40GHz, 20W

Features:
 * Broadband
 * Low Insertion Loss

Applications:
 * Amplifiers
 * Transmitter
 * Laboratory Test
 * Radar

Electrical

Frequency: 2~40GHz
 Impedance: 50Ω
 Average Power: 20W max.

Coupling (dB)	Insertion Loss (dB max.)	VSWR (max.)	Directivity (dB min.)	Coupling Flatness (dB max.)
10±0.9	3.3	1.7	11	±1.0
20±1	1.5	1.7	10	±1.0
30±1	1.4	1.7	10	±1.0

Mechanical

Connectors: 2.92mm Female

Environmental

Operation Temperature: -55~+85°C
 Non-operation Temperature: -55~+100°C

How To Order

QDDC-2000-40000-20-X-Y

X: Coupling:

10dB - Outline A

20, 30dB - Outline B

Y: Connector type

Connector naming rules:

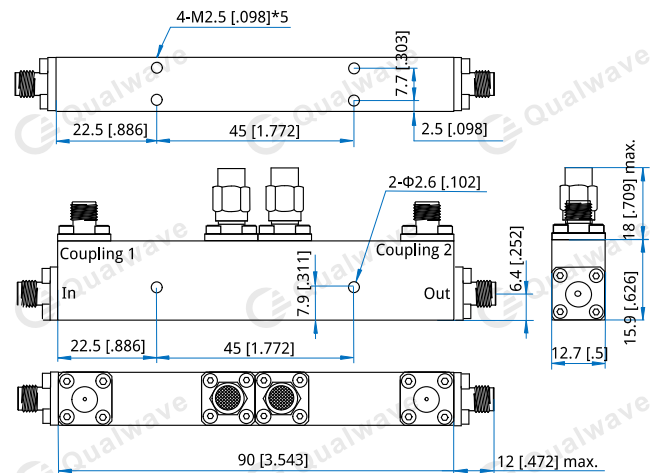
K - 2.92mm female

Examples:

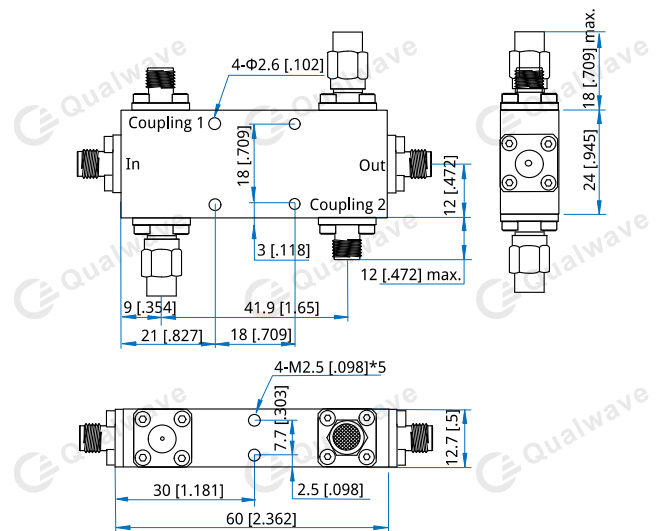
To order a dual directional coupler, 2~40GHz, 20W, 20dB, 2.92mm female, specify QDDC-2000-40000-20-20-K.

Customization is available upon request.

Outline Drawings



Outline A



Outline B

Unit: mm [in]

Tolerance: .x±0.5mm [±0.02in], .xx±0.1mm [±0.004in]