

QDDC-2000-8000-K15-40-NS

2~8GHz, 150W, 40dB

Features:
* Low Insertion Loss

Applications:
* Amplifiers
* Transmitter
* Laboratory Test
* Radar

Electrical

Frequency:	2~8GHz
Coupling:	40±1dB
Coupling Flatness:	±0.7dB max.
VSWR (Mainline):	1.4 max.
VSWR (Coupling):	1.7 max.
Insertion Loss:	0.3dB max.
Directivity:	12dB min.
Average Power:	150W

Mechanical

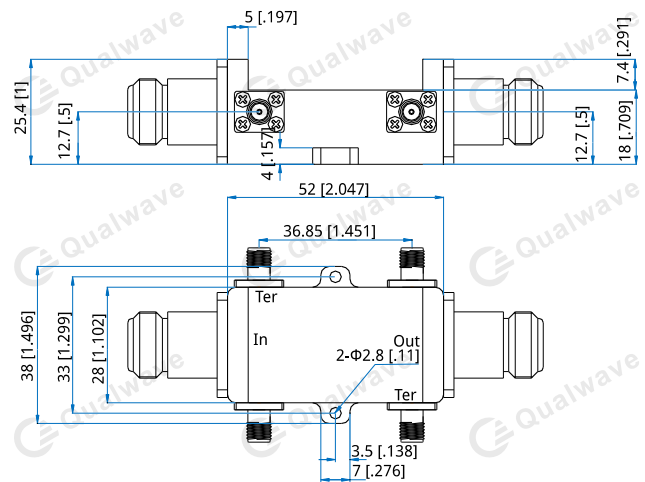
Size ^{*1} :	52*38*25.4mm 2.047*1.496*1in
RF Connectors:	N female
Coupling Connectors:	SMA female
Mounting:	2-Φ2.8mm through-hole

[1] Exclude connectors

Environmental

Temperature:	-55~+85°C
--------------	-----------

Outline Drawings



Unit: mm [in]

Tolerance: ±0.2mm [±0.008in]

How To Order

[QDDC-2000-8000-K15-40-NS](#)

Customization is available upon request.