

## QDDC-300-2000-1K-50-N

0.3~2GHz, 1000W, 50dB

Features:  
\* Low Insertion Loss

Applications:  
\* Amplifiers  
\* Transmitter  
\* Laboratory Test  
\* Radar

### Electrical

Frequency:	0.3~2GHz
Insertion Loss:	0.5dB max.
Coupling:	50±2dB
Directivity:	16dB min.
VSWR(Mainline):	1.15 max.
Average Power:	1000W

### Mechanical

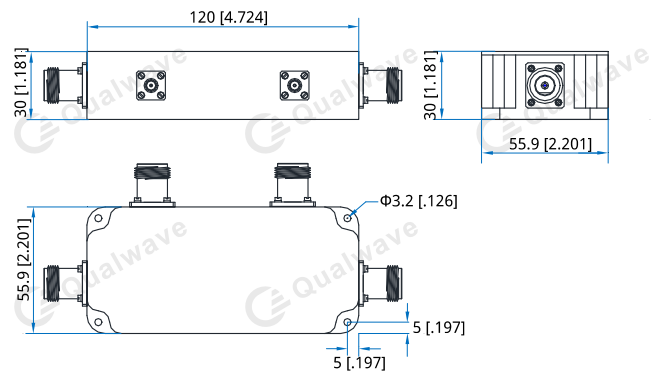
Size*1:	120*55.9*30mm 4.724*2.201*1.181in
Connectors:	N Female
Mounting:	4-Φ3.2mm through-hole

[1] Exclude connectors

### Environmental

Temperature:	-45~+100°C
Extended Temperature:	-55~+100°C

### Outline Drawings



Unit: mm [in]

Tolerance: ±0.3mm [±0.012in]

### How To Order

**QDDC-300-2000-1K-50-N**

Customization is available upon request.