

## QDDC-40-300-10-10-S

0.04~0.3GHz, 10W, 10dB

**Features:**

\* Low Insertion Loss

**Applications:**

- \* Amplifiers
- \* Transmitter
- \* Laboratory Test
- \* Radar

**Electrical**

Frequency:	0.04~0.3GHz
Coupling:	10±1dB
VSWR (Mainline):	1.35 max.
VSWR (Coupling):	1.5 max.
Insertion Loss:	1.8dB max.
Directivity:	16dB min.
Average Power:	10W max.
Peak Power:	10KW

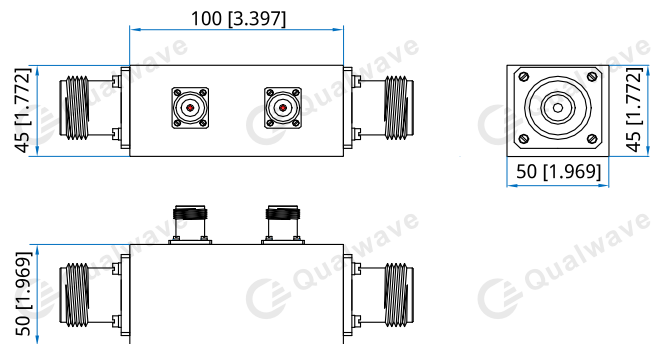
**Mechanical**

Size <sup>*1</sup> :	100*50*45mm 3.397*1.969*1.772in
Connectors:	SMA Female

[1] Exclude connectors

**Environmental**

Operating Temperature:	-45~+100°C
Non-operating Temperature:	-55~+100°C

**Outline Drawings**


Unit: mm [in]

Tolerance: ±0.3mm [±0.012in]

**How To Order**
[QDDC-40-300-10-10-S](#)

Customization is available upon request.