

QDDC-500-6000-K4-40-N

0.5~6GHz, 400W, 40dB

Features:

* Low Insertion Loss

Applications:

* Amplifiers
* Transmitter
* Laboratory Test
* Radar

Electrical

| | |
|--------------------|------------|
| Frequency: | 0.5~6GHz |
| Coupling: | 40±2dB |
| Coupling Flatness: | ±1.5dB |
| VSWR (Mainline): | 1.2 max. |
| VSWR (Coupling): | 1.5 max. |
| Insertion Loss: | 0.5dB max. |
| Directivity: | 15dB min. |
| Average Power: | 400W |

Mechanical

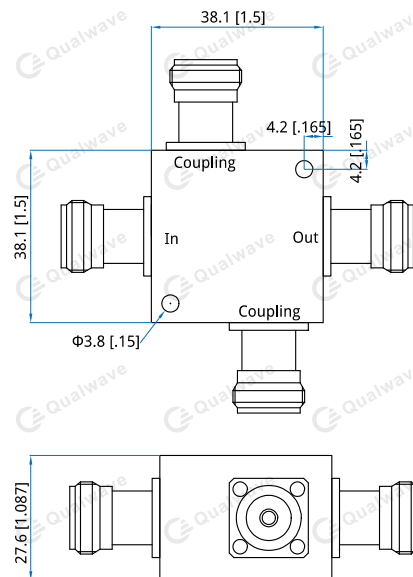
| | |
|----------------------|-------------------------------------|
| Size ^{*1} : | 38.1*38.1*27.6mm 1.5*1.5*1.087in |
| Connectors: | N female |
| Mounting: | 2-Φ3.8mm through-hole |

[1] Exclude connectors

Environmental

| | |
|------------------------|-----------|
| Operating Temperature: | -45~+85°C |
|------------------------|-----------|

Outline Drawings



Unit: mm [in]

Tolerance: ±0.2mm [±0.008in]

How To Order

QDDC-500-6000-K4-40-N

Customization is available upon request.