

QDDC-500-6000-K6

0.5~6GHz, 600W

Features:
 * Broadband
 * Low Insertion Loss

Applications:
 * Amplifiers
 * Transmitter
 * Laboratory Test
 * Radar

Electrical

Frequency: 0.5~6GHz
 Impedance: 50Ω
 Average Power: 600W max.

Coupling (dB)	Insertion Loss (dB max.)	VSWR (max.)	Directivity (dB min.)	Coupling Flatness (dB max.)
30±0.7	0.6	1.3	15	±1.2
40±0.8	0.6	1.3	15	±1.3

Mechanical

RF Connectors: N Female
 Coupling Connectors: SMA Female
 Mounting: 4-Φ3.8mm through hole

Environmental

Operation Temperature: -55~+85°C
 Non-operation Temperature: -55~+100°C

How To Order

QDDC-500-6000-K6-X-Y

X: Coupling:

30, 40dB - Outline A

Y: Connector type

Connector naming rules:

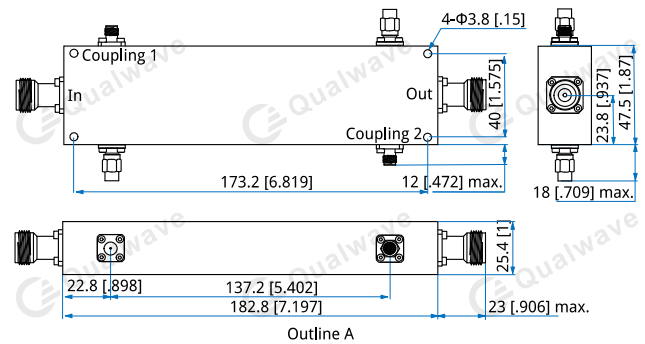
NS - N Female & SMA Female

Examples:

To order a dual directional coupler, 0.5~6GHz, 600W, 30dB, N Female & SMA Female, specify QDDC-500-6000-K6-30-NS.

Customization is available upon request.

Outline Drawings



Unit: mm [in]

Tolerance: .xx±0.5mm [±0.02in], .xxx±0.1mm [±0.004in]