

# QDDC-6000-18000-60-20-S

## 6~18GHz, 60W, 20dB

Features:  
\* Low Insertion Loss

Applications:  
\* Amplifiers  
\* Transmitter  
\* Laboratory Test  
\* Radar

### Electrical

Frequency:	6~18GHz
Insertion Loss:	1dB max.
Coupling:	20±1dB
Directivity:	12dB min.
VSWR:	1.5 max.
Average Power:	60W min.

### Mechanical

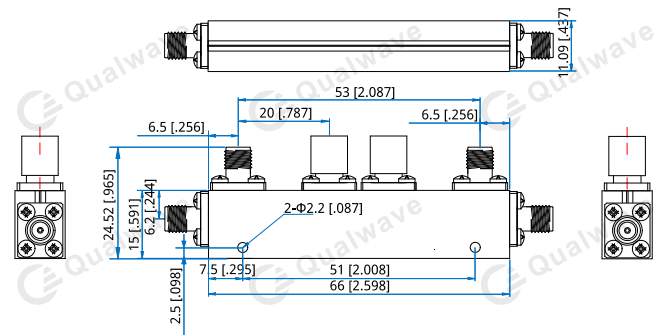
Size <sup>*1</sup> :	66*15*11.09mm 2.598*0.591*0.437in
Connectors:	SMA Female
Mounting:	2-Φ2.2mm through hole

[1] Exclude connectors

### Environmental

Temperature:	-55~+85°C
--------------	-----------

### Outline Drawings



Unit: mm [in]

Tolerance: ±0.2mm [±0.008in]

### How To Order

**QDDC-6000-18000-60-20-S**

Customization is available upon request.