

QDDC-6000-26500-30

6~26.5GHz, 30W

Features:
 * Broadband
 * Low Insertion Loss

Applications:
 * Amplifiers
 * Transmitter
 * Laboratory Test
 * Radar

Electrical

Frequency: 6~26.5GHz
 Impedance: 50Ω
 Average Power: 30W max.

Coupling (dB)	Insertion Loss (dB max.)	VSWR (max.)	Directivity (dB min.)	Coupling Flatness (dB max.)
10±0.8	2.4	1.6	14	±0.8
20±0.8	1.1	1.6	12	±0.8
30±0.8	1.0	1.6	12	±0.8

Mechanical

Connectors: SMA Female

Environmental

Operation Temperature: -55~+85°C
 Non-operation Temperature: -55~+100°C

How To Order

QDDC-6000-26500-30-X-Y

X: Coupling:

10dB - Outline A

20, 30dB - Outline B

Y: Connector type

Connector naming rules:

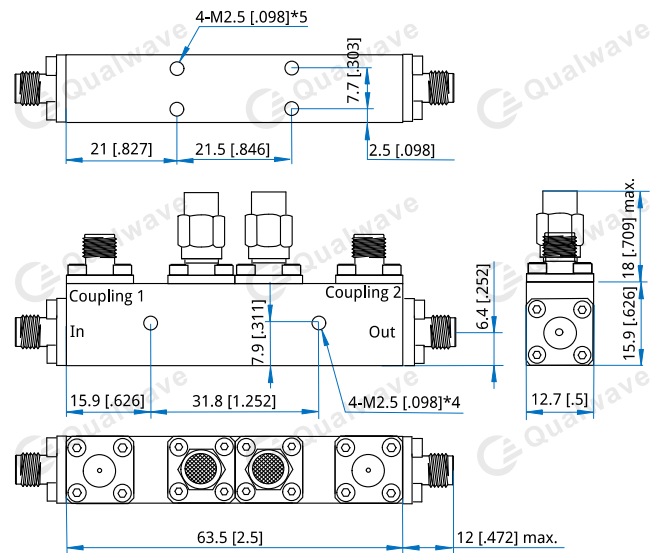
S - SMA female

Examples:

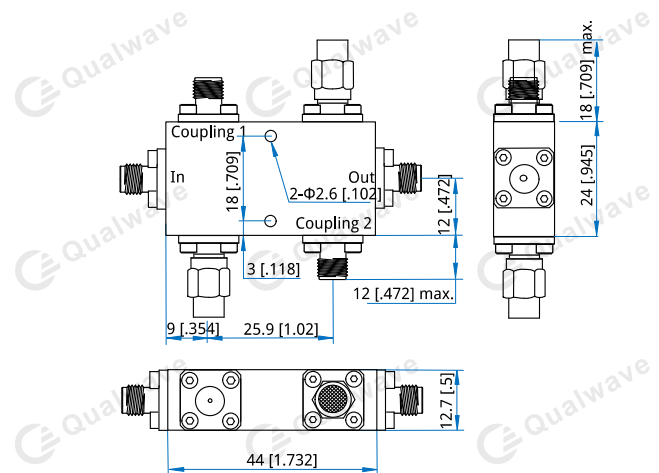
To order a dual directional coupler, 6~26.5GHz, 30W, 20dB, SMA female, specify QDDC-6000-26500-30-20-S.

Customization is available upon request.

Outline Drawings



Outline A



Outline B

Unit: mm [in]

Tolerance: .xx±0.5mm [±0.02in], .xx±0.1mm [±0.004in]