

QDDC-6000-40000-20

6~40GHz, 20W

Features:
 * Broadband
 * Low Insertion Loss

Applications:
 * Amplifiers
 * Transmitter
 * Laboratory Test
 * Radar

Electrical

Frequency:	6~40GHz
Directivity:	10dB min.
Coupling Flatness:	±1dB max.
Impedance:	50Ω
Average Power:	20W max.

Coupling (dB)	Insertion Loss (dB max.)	VSWR (max.)
10±0.9	2.8	1.7
20±1	1.4	1.7
30±1	1.3	1.7

Mechanical

Connectors: 2.92mm Female

Environmental

Operation Temperature: -55~+85°C
 Non-operation Temperature: -55~+100°C

How To Order

QDDC-6000-40000-20-X-Y

X: Coupling:

10dB - Outline A

20, 30dB - Outline B

Y: Connector type

Connector naming rules:

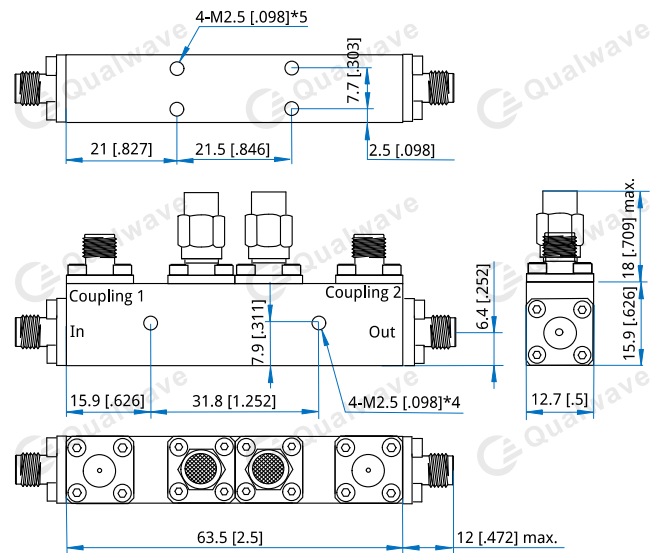
K - 2.92mm female

Examples:

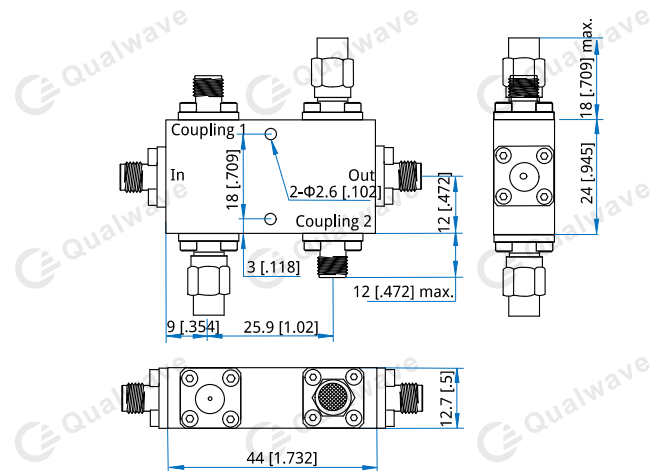
To order a dual directional coupler, 6~40GHz, 20W, 20dB, 2.92mm female, specify QDDC-6000-40000-20-20-K.

Customization is available upon request.

Outline Drawings



Outline A



Outline B

Unit: mm [in]

Tolerance: .xx±0.5mm [±0.02in], .xx±0.1mm [±0.004in]