

QDDC-700-6000-K5-35-NS

0.7~6GHz, 500W, 35dB

Features:

* Low Insertion Loss

Applications:

* Amplifiers
* Transmitter
* Laboratory Test
* Radar

Electrical

Frequency:	0.7~6GHz
Coupling:	35±1dB
Coupling Flatness:	±1dB max.
VSWR (Mainline):	1.4 max.
VSWR (Coupling):	1.7 max.
Insertion Loss:	0.5dB max.
Directivity:	12dB min.
Average Power:	500W

Mechanical

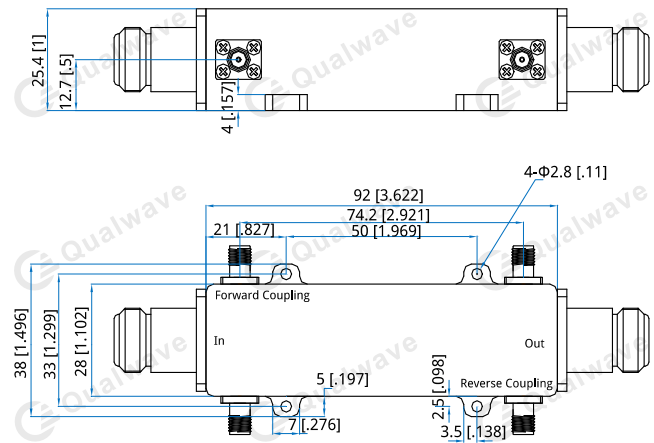
Size ^{*1} :	92*38*25.4mm 3.622*1.496*1in
Connectors:	N female, SMA female
Mounting:	4-Φ2.8mm through-hole

[1] Exclude connectors

Environmental

Operating Temperature:	-55~+85°C
------------------------	-----------

Outline Drawings



Unit: mm [in]

Tolerance: ±0.2mm [±0.008in]

How To Order

[QDDC-700-6000-K5-35-NS](#)

Customization is available upon request.