

QDDC-80-1000-1K5-50-NS

0.08~1GHz, 1500W, 50dB

Features:

* Low Insertion Loss

Applications:

- * Amplifiers
- * Transmitter
- * Laboratory Test
- * Radar

Electrical

Frequency:	0.08~1GHz
Coupling:	50±1dB
VSWR (Mainline):	1.15 max.
Insertion Loss:	0.3dB max.
Directivity:	20dB min.
Average Power:	1500W

Mechanical

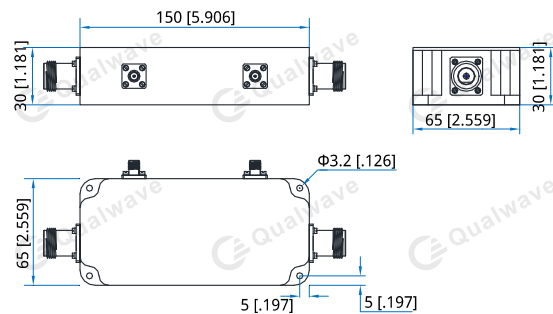
Size*1:	150*65*30mm 5.906*2.559*1.181in
RF Connectors:	N female
Coupling Connectors:	SMA female
Mounting:	4-Φ3.2mm through-hole

[1] Exclude connectors

Environmental

Operating Temperature:	-45~+100°C
Non-operating Temperature:	-55~+100°C

Outline Drawings



Unit: mm [in]

Tolerance: ±0.3mm [±0.012in]

How To Order

QDDC-80-1000-1K5-50-NS

Customization is available upon request.