

QELC-SF-6

SMA, DC~18GHz

Features:

- * Low VSWR
- * No welding
- * Reusable
- * Easy installation

Applications:

- * Laboratory Test

Electrical

Frequency:	DC~18GHz
VSWR:	1.5
Impedance:	50Ω

Mechanical

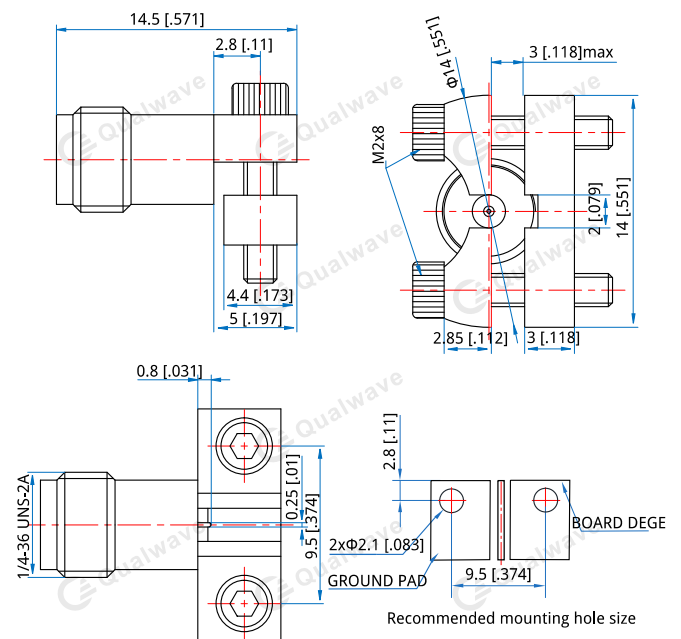
RF Conductor:	SMA Female
Inner Conductor:	Beryllium copper
Outer Conductor:	Brass

Environmental

Temperature:	-40~+165°C
--------------	------------

How To Order
QELC-SF-6

Customization is available upon request.

Outline Drawings


Unit: mm [in]

Tolerance: ±0.2mm [±0.008in]