

QFA015K

DC~1GHz, 5000W

Features:

- * Low VSWR
- * High Attenuation Flatness

Applications:

- * Wireless
- * Transmitter
- * Laboratory Test
- * Radar

Electrical

Frequency:	DC~1GHz
Attenuation:	20, 30, 40, 50dB
Impedance:	50Ω
Average Power:	5000W
Peak Power:	100KW (1ms pulse width, 5% duty cycle)

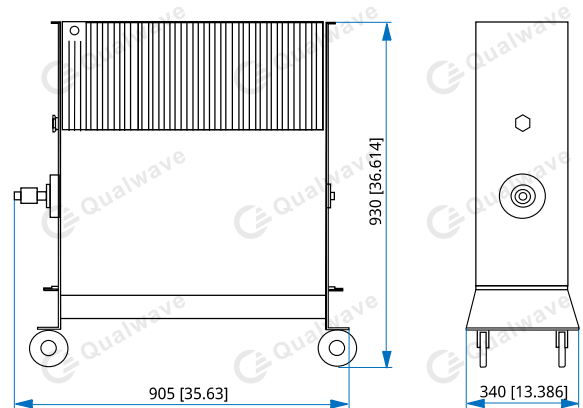
Mechanical

Size:	905*340*930mm 35.63*13.386*36.614in
Weight:	110Kg
RF Connectors:	7/16 DIN, L36, L52
Housing:	Aluminum
Outer Conductor:	Nickel Plated Brass
Male Inner Conductor:	Gold plated brass
Female Inner Conductor:	Gold plated phosphor copper
Cooling:	Oil cooling and air cooling

Environmental

Temperature:	-40~+45°C
--------------	-----------

Outline Drawings



Unit: mm [in]
Tolerance: ±2mm [±0.08in]

Expain:

Replace the hexagon nut with the exhaust valve before startup, and replace the exhaust valve with the hexagon nut during transportation.

Attenuation Accuracy and VSWR

Frequency (GHz)	Attenuation Accuracy (±dB) vs. Attenuation (dB)				VSWR (max.)
	20	30	40	50	
DC~0.03	/	±0.5	±0.5	±0.5	1.10
0.03~0.088	/	±0.5	±0.5	±0.5	1.15
0.088~0.5	/	±1.0	±1.0	±1.0	1.25
0.5~1	/	/	/	/	1.4@DC~0.7GHz, 1.45@7/16DIN female

How To Order

QFA015K-X-Y-Z

X: Frequency in GHz

Y: Attenuation in dB

Z: Connector type

Connector naming rules:

7F - 7/16 DIN female

L4F - L36 female

L3F - L52 female

Examples:

To order an attenuator, DC~1GHz, 7/16 DIN female to 7/16 DIN female, 50dB attenuation, specify QFA015K-1-50-7F7F.