

QFA5005

DC~50GHz, 5W

Features:

- * Low VSWR
- * High Attenuation Flatness

Applications:

- * Wireless
- * Transmitter
- * Laboratory Test
- * Radar

Electrical

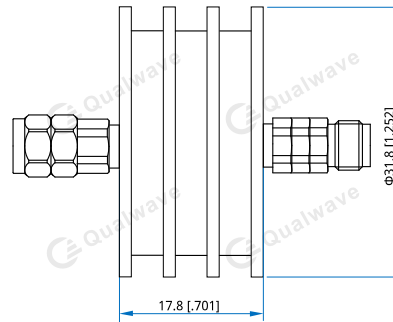
Frequency:	DC~50GHz
Attenuation:	1~10dB, 20dB, 30dB
Impedance:	50Ω
Average Power*1:	5W@25°C max.
Peak Power:	20W (5μS pulse width, 2.5% duty cycle)

[1] Derated linearly to 0.5W@125°C.

Mechanical

RF Connectors:	2.4mm
Housing:	Aluminum
Dielectric:	PEI
Outer Conductor:	Passivated stainless steel
Male Inner Conductor:	Gold plated brass
Female Inner Conductor:	Gold plated beryllium copper

Outline Drawings



Unit: mm [in]
Tolerance: ±2mm [±0.08in]

Environmental

Temperature: -55~+125°C

Attenuation Accuracy and VSWR

Frequency (GHz)	Attenuation Accuracy (±dB) vs. Attenuation (dB)			VSWR (max.)
	1~10	20	30	
DC~50	-1.0/+1.2	-1.0/+1.2	-1.0/+1.2	1.3

How To Order

QFA5005-X-Y-Z

- X: Frequency in GHz
- Y: Attenuation in dB
- Z: Connector type

Connector naming rules:

2 - 2.4mm

Examples:

To order an attenuator, DC~50GHz, 2.4mm male to 2.4mm female, 20dB attenuation, specify QFA5005-50-20-2.