

QWT137-2K5 WR-137, 2.5KW

Features:
* Low VSWR

Applications:
* Transmitters
* Antennas
* Laboratory Test
* Impedance Matching

Electrical

Frequency: 5.38~8.17GHz
Average Power: 2.5KW
VSWR: 1.2 max.

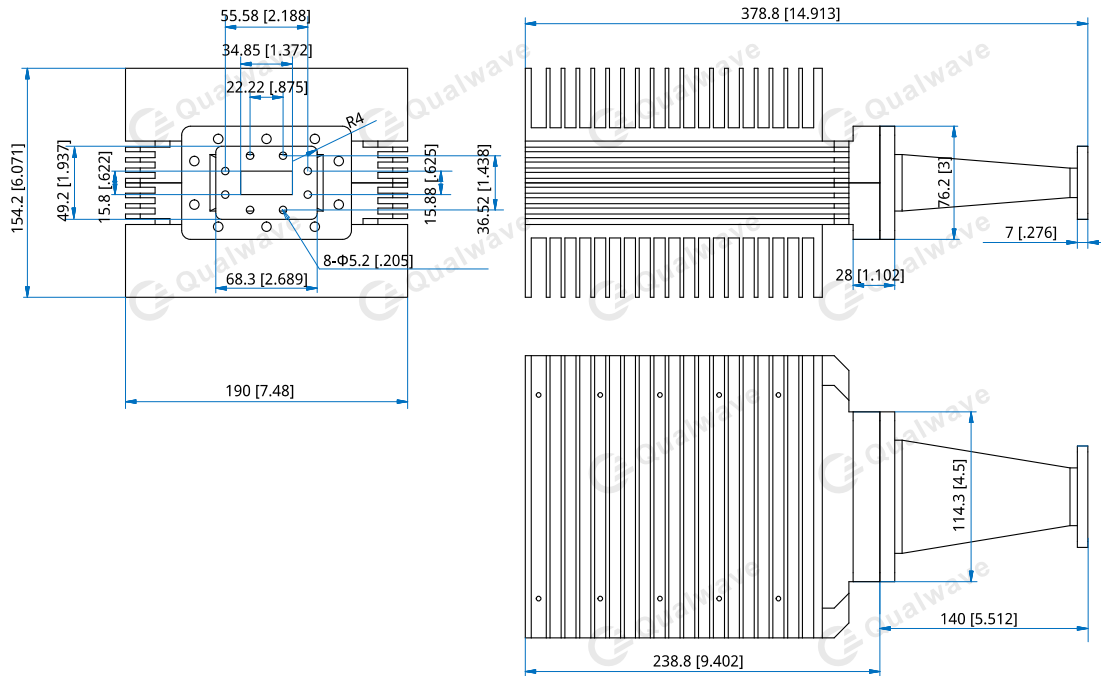
Mechanical

Waveguide Size: WR-137 (BJ70)
Flange: FBP70/FDP70

Environmental

Temperature: -55~+125°C

Outline Drawings



Unit: mm [in]
Tolerance: ±0.5mm [±0.02in]

How To Order

QWT137-2K5-Y-Z

Y : Material

Z : Flange type

Material naming rules:
A - Aluminum (Outline A)

Flange naming rules:

1 - FBP70

2 - FDP70 (Outline A)

Examples:

To order a high power waveguide termination, WR-137, 2.5KW, Aluminum, FDP70, specify QWT137-2K5-A-2.

Customization is available upon request.