

QWT90-2K5 WR-90, 2.5KW

Features:
* Low VSWR

Applications:
* Transmitters
* Antennas
* Laboratory Test
* Impedance Matching

Electrical

Frequency: 8.2~12.5GHz
Average Power: 2.5KW
VSWR: 1.2 max.

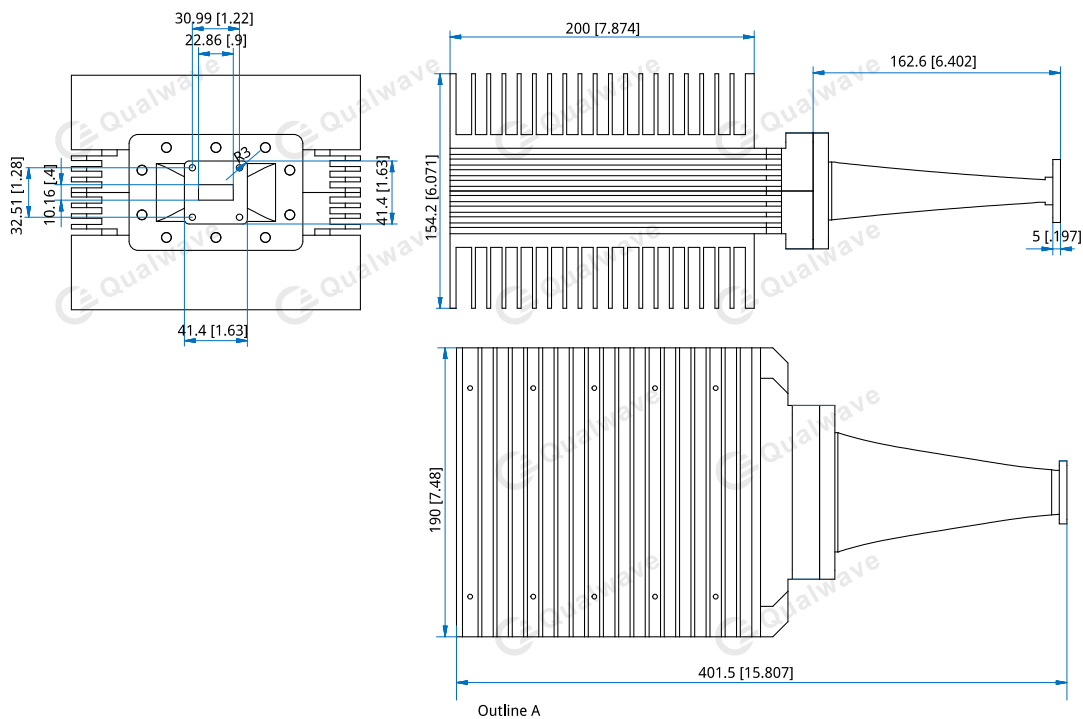
Mechanical

Waveguide Size: WR-90 (BJ100)
Flange: FBP100/FDP100

Environmental

Temperature: -55~+125°C

Outline Drawings



Unit: mm [in]
Tolerance: $\pm 0.5\text{mm}$ [$\pm 0.02\text{in}$]

How To Order

QWT90-2K5-Y-Z

Y : Material

Z : Flange type

Material naming rules:
A - Aluminum (Outline A)

Flange naming rules:

1 - FBP100 (Outline A)

2 - FDP100

Examples:

To order a high power waveguide termination, WR-90, 2.5KW, Aluminum, FBP100, specify QWT90-2K5-A-1.

Customization is available upon request.