

QLAS-0.1-500-30-30

0.1~500MHz, 30dB, 3dB

Features:
 * Broad Band
 * Low Noise

Applications:
 * Wireless
 * Receiver
 * Laboratory Test
 * Radar

Electrical

| | |
|----------------------|-------------|
| Frequency: | 0.1~500MHz |
| Gain: | 30dB min. |
| Gain Flatness: | ±0.5dB typ. |
| Output Power (P1dB): | +5dBm min. |
| Noise Figure: | 3dB max. |
| Spurious: | -60dBc max. |
| VSWR: | 1.5 typ. |
| Voltage: | +220V AC |
| Impedance: | 50Ω |

Mechanical

Size*1: 136*186*52mm
 5.354*7.323*2.047in

RF Connectors: SMA Female

[1] Exclude connectors, rack mount brackets, handles.

How To Order

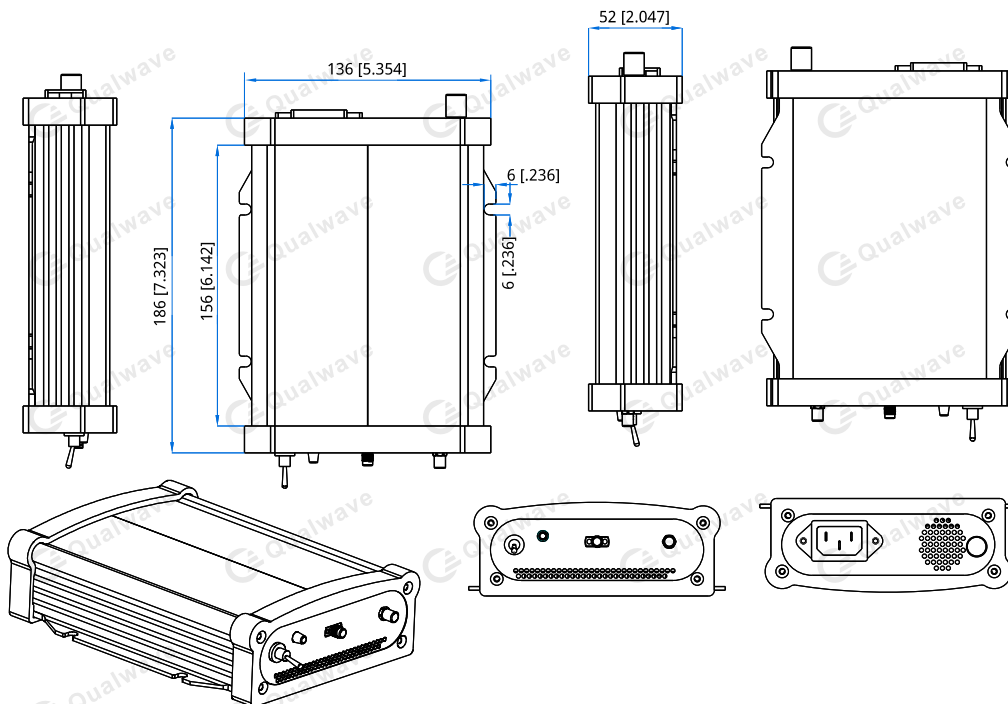
QLAS-0.1-500-30-30

Customization is available upon request.

Environmental

Operating Temperature: -20~+60°C
 Non-operating Temperature: -40~+85°C

Outline Drawings



Unit: mm [in]
 Tolerance: ±0.2mm [±0.008in]