

QLAS-10-18000-50-40

0.01~18GHz, 50dB, 4dB

Features:
 * Broad Band
 * Low Noise

Applications:
 * Wireless
 * Receiver
 * Laboratory Test
 * Radar

Electrical

Frequency:	0.01~18GHz
Gain:	50dB typ.
Gain Flatness:	±3dB typ.
Output Power (P1dB):	+10dBm min.
Noise Figure:	4dB typ. @0.2~18GHz
Spurious:	-60dBc max.
VSWR:	2.5 typ.
Voltage:	+220V AC
Impedance:	50Ω

Mechanical

Size*1: 136*186*52mm
 5.354*7.323*2.047in

RF Connectors: SMA Female

[1] Exclude connectors, rack mount brackets, handles.

How To Order

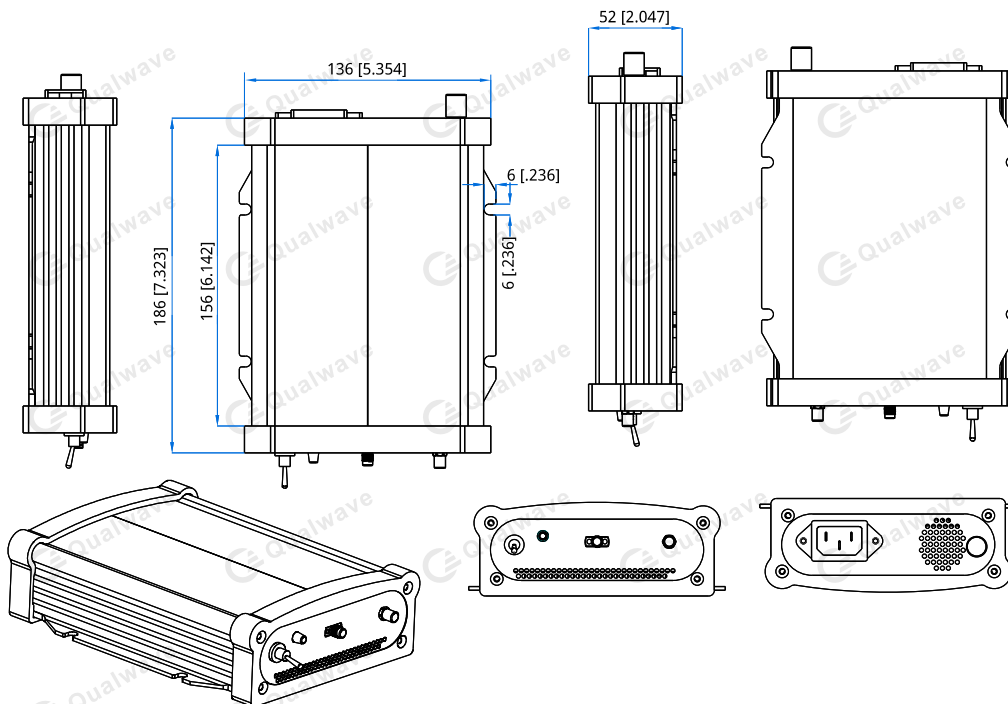
QLAS-10-18000-50-40

Customization is available upon request.

Environmental

Operating Temperature:	-20~+50°C
Non-operating Temperature:	-40~+85°C

Outline Drawings



Unit: mm [in]
 Tolerance: ±0.2mm [±0.008in]