

# QLAS-100-6000-25-25

0.1~6GHz, 25dB, 2.5dB

Features:  
 \* Broad Band  
 \* Low Noise

Applications:  
 \* Wireless  
 \* Receiver  
 \* Laboratory Test  
 \* Radar

### Electrical

Frequency:	0.1~6GHz
Gain:	25dB min.
Gain Flatness:	±2.0dB typ.
Output Power (P1dB):	+15dBm min.
Noise Figure:	2.5dB max.
Spurious:	-60dBc max.
VSWR:	1.5 max.
Voltage:	+220V AC
Impedance:	50Ω

### Mechanical

Size\*1: 136\*186\*52mm  
 5.354\*7.323\*2.047in

RF Connectors: SMA Female

[1] Exclude connectors, rack mount brackets, handles.

### How To Order

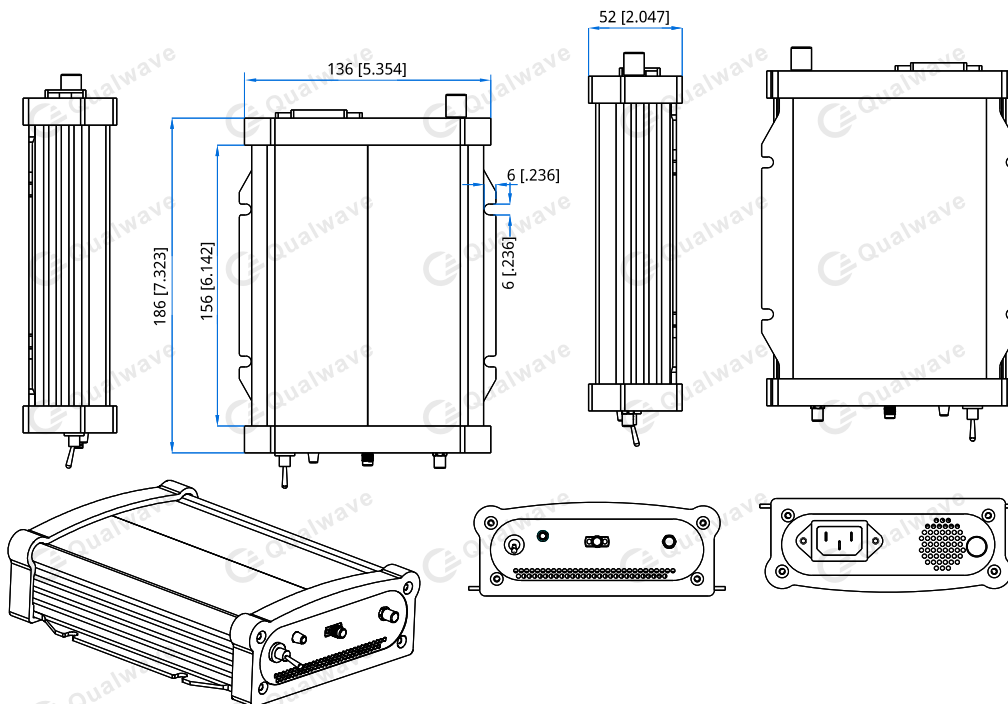
**QLAS-100-6000-25-25**

Customization is available upon request.

### Environmental

Operating Temperature:	-20~+50°C
Non-operating Temperature:	-40~+85°C

### Outline Drawings



Unit: mm [in]  
 Tolerance: ±0.2mm [±0.008in]