

QLAS-1000-18000-55-22

1~18GHz, 55dB, 2.2dB

Features:
* Broadband
* Low Noise

Applications:
* Wireless
* Receiver
* Laboratory Test
* Radar

Electrical

Frequency:	1~18GHz
Gain:	55dB min.
Gain Flatness:	±1.5dB max.
Output Power (P1dB):	10dBm min.
Noise Figure:	2.2dB typ. 3dB max.
Spurious:	-60dBc max.
VSWR:	1.5 typ. 2.5 max.
Voltage:	220V AC
Input Power:	+10dBm max.
Impedance:	50Ω

Mechanical

Size*1:	136*186*52mm 5.354*7.323*2.047in
RF Connectors:	SMA Female

[1] Exclude connectors, rack mount brackets, handles.

Environmental

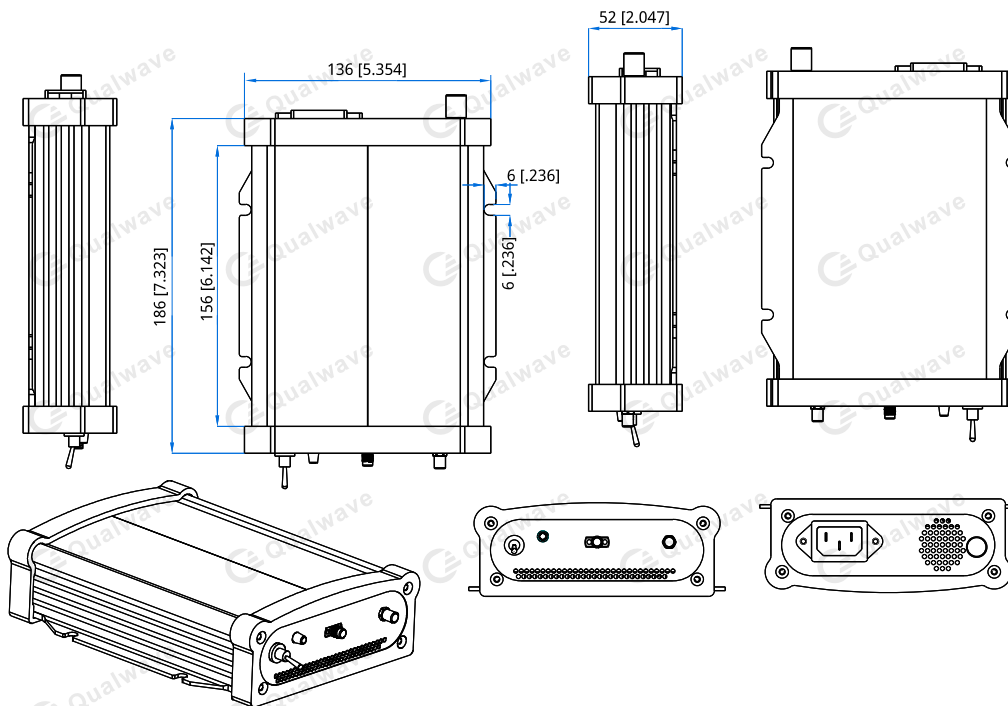
Operating Temperature:	-20~+50°C
Non-operating Temperature:	-40~+85°C

How To Order

[QLAS-1000-18000-55-22](#)

Customization is available upon request.

Outline Drawings



Unit: mm [in]

Tolerance: ±0.2mm [±0.008in]