

QLAS-1000-2000-30-20

1~2GHz, 30dB, 2dB

Features:
 * Broad Band
 * Low Noise

Applications:
 * Wireless
 * Receiver
 * Laboratory Test
 * Radar

Electrical

Frequency:	1~2.GHz
Gain:	30dB min.
Gain Flatness:	±1.5dB typ.
Output Power (P1dB):	+15dBm min.
Noise Figure:	2dB typ.
Spurious:	-60dBc max.
Harmonic:	-20dBc max.
VSWR:	2 typ.
Voltage:	+220V AC

Mechanical

Size*1: 136*186*52mm
 5.354*7.323*2.047in

RF Connectors: SMA Female

[1] Exclude connectors, rack mount brackets, handles.

How To Order

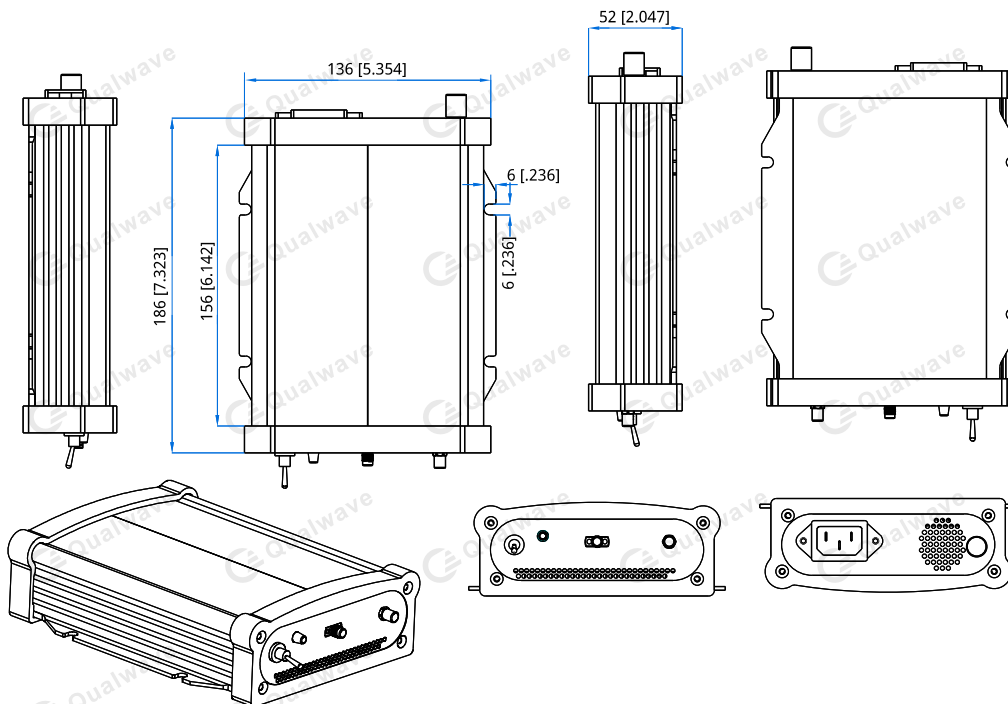
QLAS-1000-2000-30-20

Customization is available upon request.

Environmental

Operating Temperature:	-20~+50°C
Non-operating Temperature:	-40~+85°C

Outline Drawings



Unit: mm [in]
 Tolerance: ±0.2mm [±0.008in]