

# QLAS-1000-20000-40-40

1~20GHz, 40dB, 4dB

**Features:**

- \* Broad Band
- \* Low Noise

**Applications:**

- \* Wireless
- \* Receiver
- \* Laboratory Test
- \* Radar

**Electrical**

Frequency:	1~20GHz
Gain:	40dB min.
Gain Flatness:	±2dB typ.
Output Power (P1dB):	+16dBm min.
Noise Figure:	4dB max.
Spurious:	-60dBc max.
VSWR:	1.5 typ.
Voltage:	+220V AC
Impedance:	50Ω

**Mechanical**

Size\*1: 136\*186\*52mm  
5.354\*7.323\*2.047in

RF Connectors: SMA Female

[1] Exclude connectors, rack mount brackets, handles.

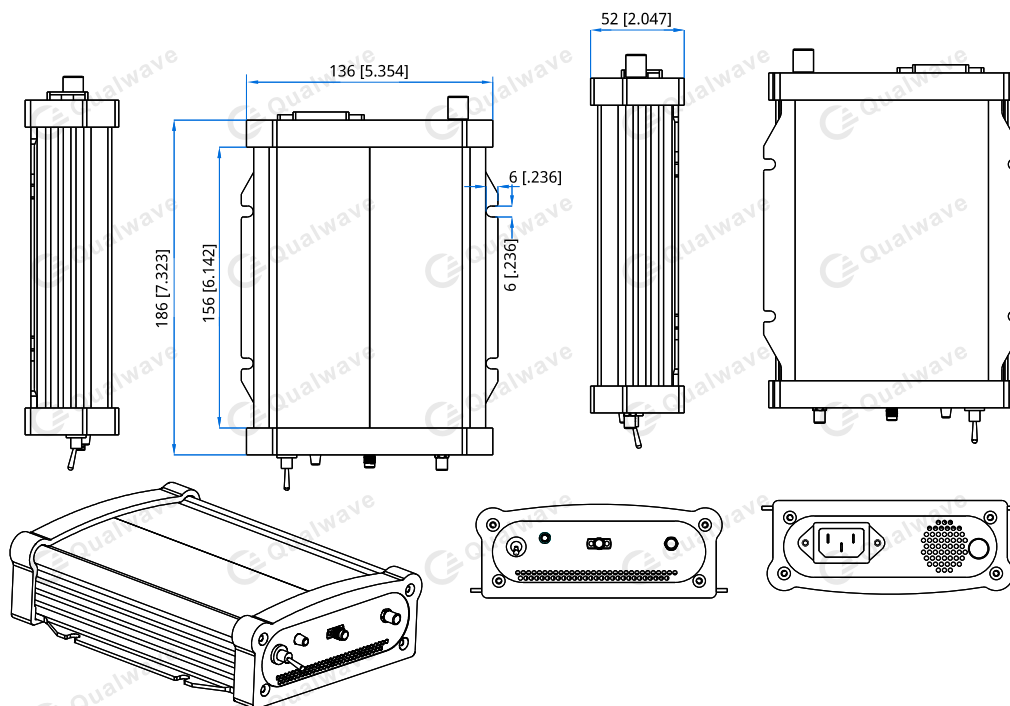
**How To Order**

**QLAS-1000-20000-40-40**

Customization is available upon request.

**Environmental**

Operating Temperature:	-20~+50°C
Non-operating Temperature:	-40~+85°C

**Outline Drawings**


Unit: mm [in]

Tolerance: ±0.2mm [±0.008in]