

QLAS-18000-40000-40-35

18~40GHz, 40dB, 3.5dB

Features:
* Broadband
* Low Noise

Applications:
* Wireless
* Receiver
* Laboratory Test
* Radar

Electrical

Frequency:	18~40GHz
Gain:	40dB min.
Gain Flatness:	±2.5dB max.
Output Power (P1dB):	8dBm min.
Noise Figure:	3.5dB typ. 4.2dB max.
Spurious:	-60dBc max.
VSWR:	2.0 typ. 2.5 max.
Voltage:	220V AC
Input Power:	+10dBm max.
Impedance:	50Ω

Mechanical

Size:	136*186*52mm 5.354*7.323*2.047in
RF Connectors:	2.92mm Female

[1] Exclude connectors.

Environmental

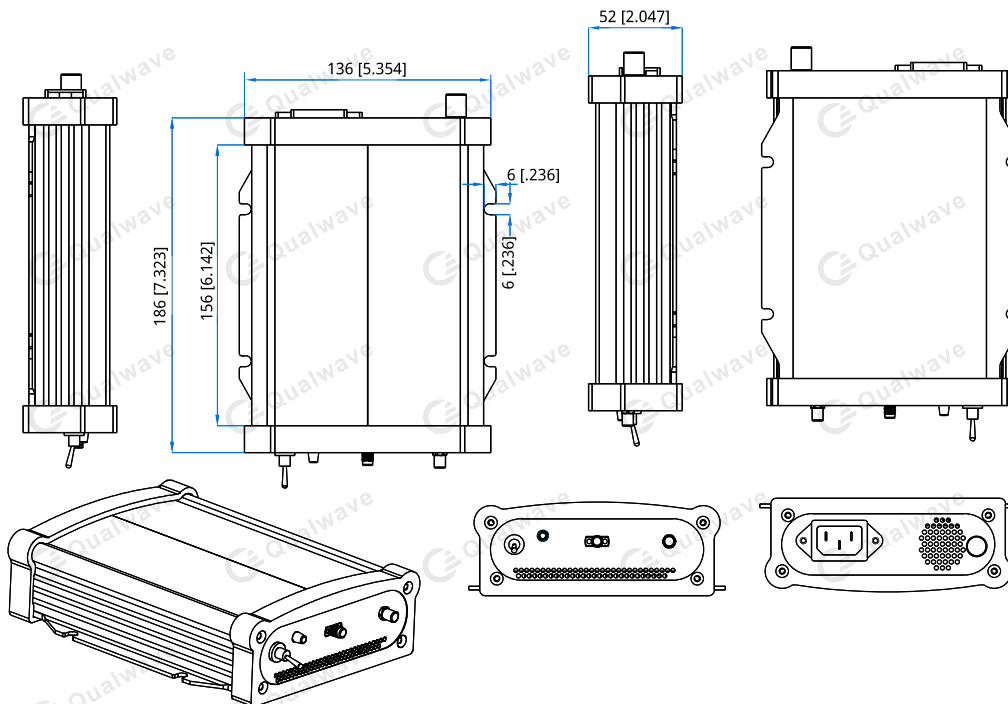
Operating Temperature:	-20~+60°C
Non-operating Temperature:	-40~+85°C

How To Order

[QLAS-18000-40000-40-35](#)

Customization is available upon request.

Outline Drawings



Unit: mm [in]
Tolerance: ±0.2mm [±0.008in]