

QLAS-26000-30000-25-50

26~30GHz, 25dB, 5dB

Features:
 * Broadband
 * Low Noise

Applications:
 * Wireless
 * Receiver
 * Laboratory Test
 * Radar

Electrical

Frequency:	26~30GHz
Gain:	25dB typ.
Output Power (Psat):	20dBm min.
Noise Figure:	5dB max.
Isolation:	20dB typ.
Spurious:	-60dBc max.
VSWR:	1.8 typ.
Voltage:	110V AC
Input Power:	+20dBm max.
Impedance:	50Ω

Mechanical

Size*1: 136*186*52mm
 5.354*7.323*2.047in

RF Connectors: 2.92mm Female

[1] Exclude connectors, rack mount brackets, handles.

How To Order

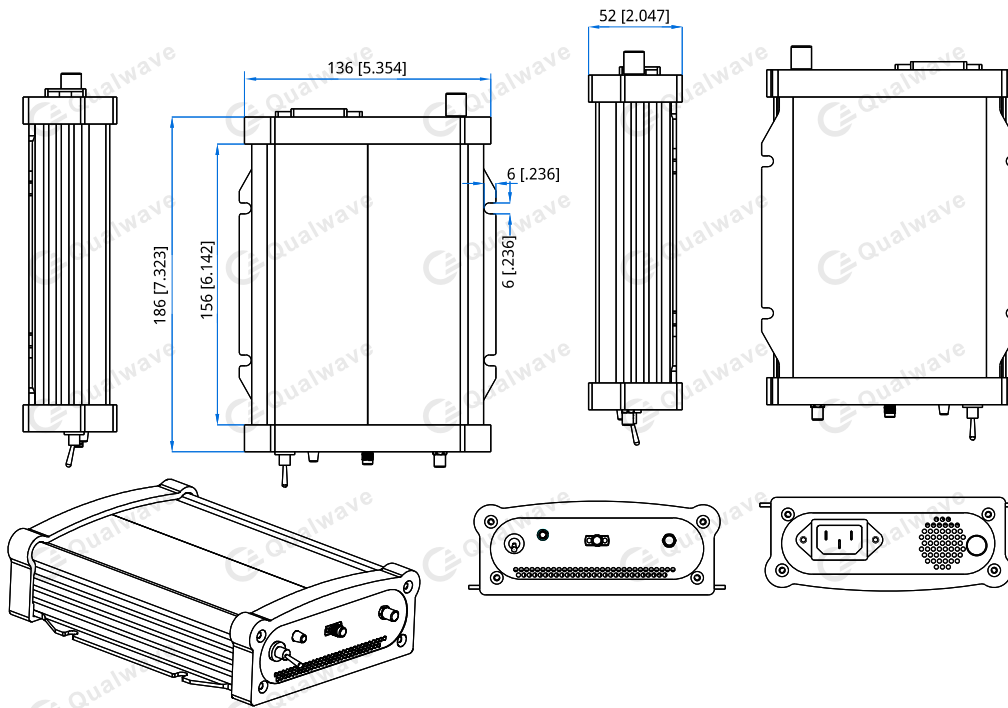
QLAS-26000-30000-25-50

Customization is available upon request.

Environmental

Operating Temperature: -20~+50°C
 Non-operating Temperature: -40~+85°C

Outline Drawings



Unit: mm [in]

Tolerance: ±0.2mm [±0.008in]