

QLAS-6000-18000-50-30

6~18GHz, 50dB, 3dB

Features:
 * Broadband
 * Low Noise

Applications:
 * Wireless
 * Receiver
 * Laboratory Test
 * Radar

Electrical

Frequency:	6~18GHz
Gain:	50dB min.
Gain Flatness:	±1.5dB typ.
Output Power (P1dB):	15dBm min.
Noise Figure:	2.5dB typ. 3dB max.
Spurious:	-60dBc max.
VSWR:	1.5 typ. 2 max.
Voltage:	220V AC
Input Power:	+10dBm max.
Impedance:	50Ω

Environmental

Operating Temperature:	-20~+50°C
Non-operating Temperature:	-40~+85°C

Mechanical

Size*1: 136*186*52mm
 5.354*7.323*2.047in

RF Connectors: SMA Female

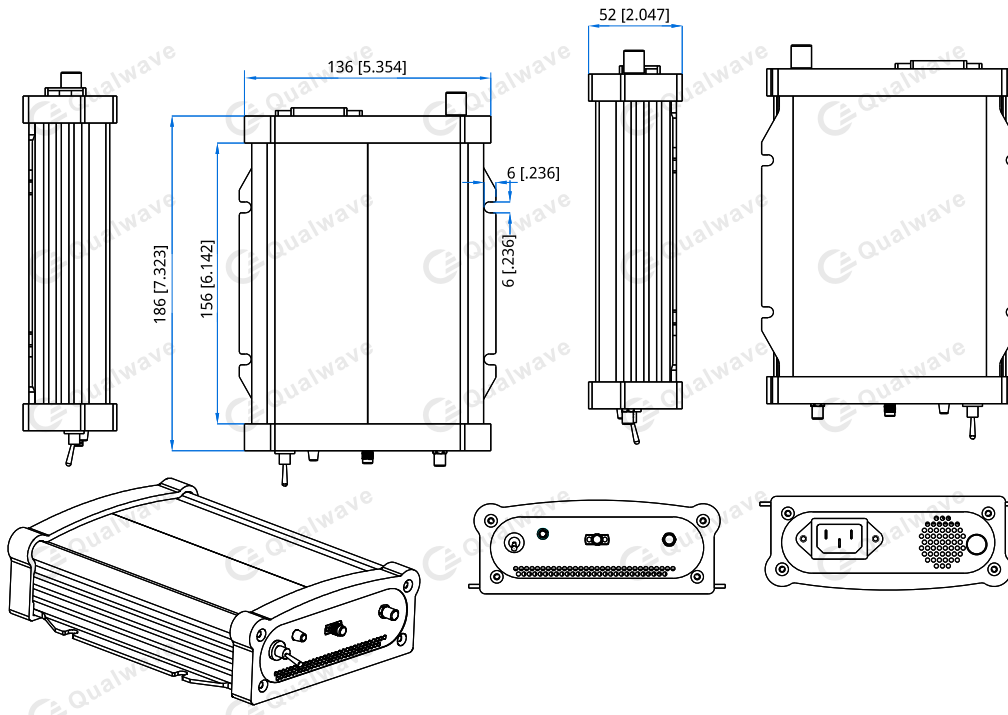
[1] Exclude connectors, rack mount brackets, handles.

How To Order

[QLAS-6000-18000-50-30](#)

Customization is available upon request.

Outline Drawings



Unit: mm [in]

Tolerance: ±0.2mm [±0.008in]