

QLAS-6000-40000-45-35

6~40GHz, 45dB, 3.5dB

Features:
* Broadband
* Low Noise

Applications:
* Wireless
* Receiver
* Laboratory Test
* Radar

Electrical

| | |
|----------------------|-------------|
| Frequency: | 6~40GHz |
| Gain: | 45dB min. |
| Gain Flatness: | ±2.5dB typ. |
| Output Power (P1dB): | 10dBm min. |
| Noise Figure: | 3.5dB typ. |
| Spurious: | -60dBc max. |
| Harmonic: | -15dBc typ. |
| Input VSWR: | 2.0 typ. |
| Output VSWR: | 2.0 typ. |
| Voltage: | 220V AC |
| Input Power: | +10dBm max. |
| Impedance: | 50Ω |

Mechanical

| | |
|----------------|---------------------|
| Size: | 136*186*52mm |
| | 5.354*7.323*2.047in |
| RF Connectors: | 2.4mm Female |

[1] Exclude connectors.

Environmental

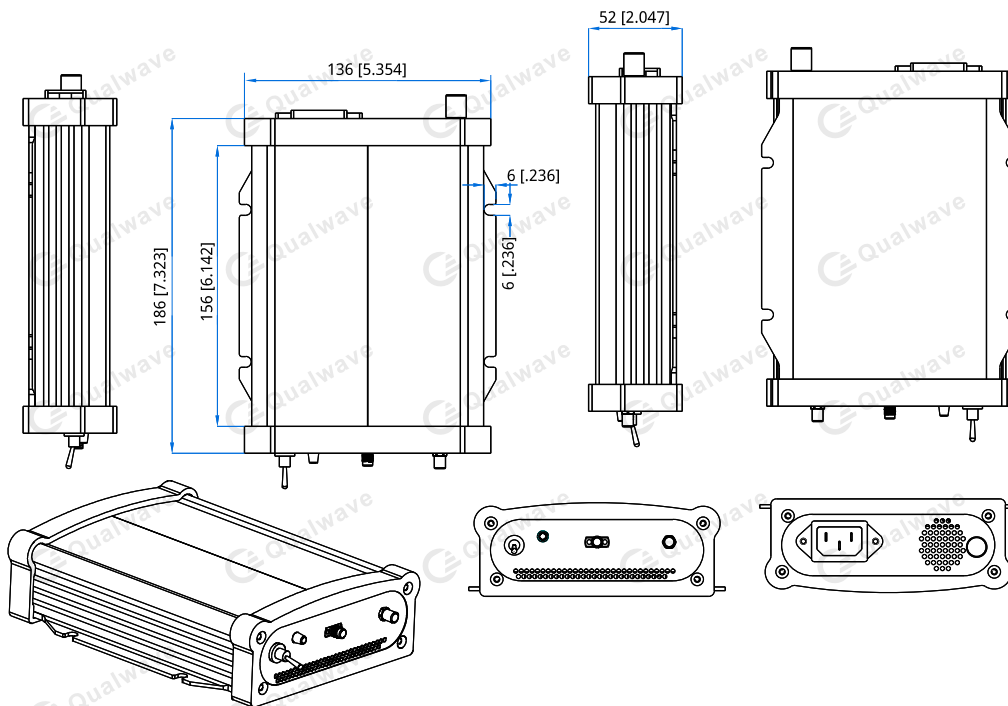
| | |
|----------------------------|-----------|
| Operating Temperature: | -20~+60°C |
| Non-operating Temperature: | -40~+85°C |

How To Order

[QLAS-6000-40000-45-35](#)

Customization is available upon request.

Outline Drawings



Unit: mm [in]

Tolerance: ±0.2mm [±0.008in]