

QLAS-700-1100-25-25

0.7~1.1GHz, 25dB, 2.5dB

Features:
 * Broad Band
 * Low Noise

Applications:
 * Wireless
 * Receiver
 * Laboratory Test
 * Radar

Electrical

Frequency: 0.7~1.1GHz
 Gain: 25dB min.
 Gain Flatness: ± 1.5 dB
 Output Power (P1dB): 13dBm
 Noise Figure: 2.5dB max.
 Spurious: -60dBc max.
 Voltage: +220V AC

Mechanical

Size*1: 136*186*52mm
 5.354*7.323*2.047in

RF Connectors: SMA Female

[1] Exclude connectors, rack mount brackets, handles.

How To Order

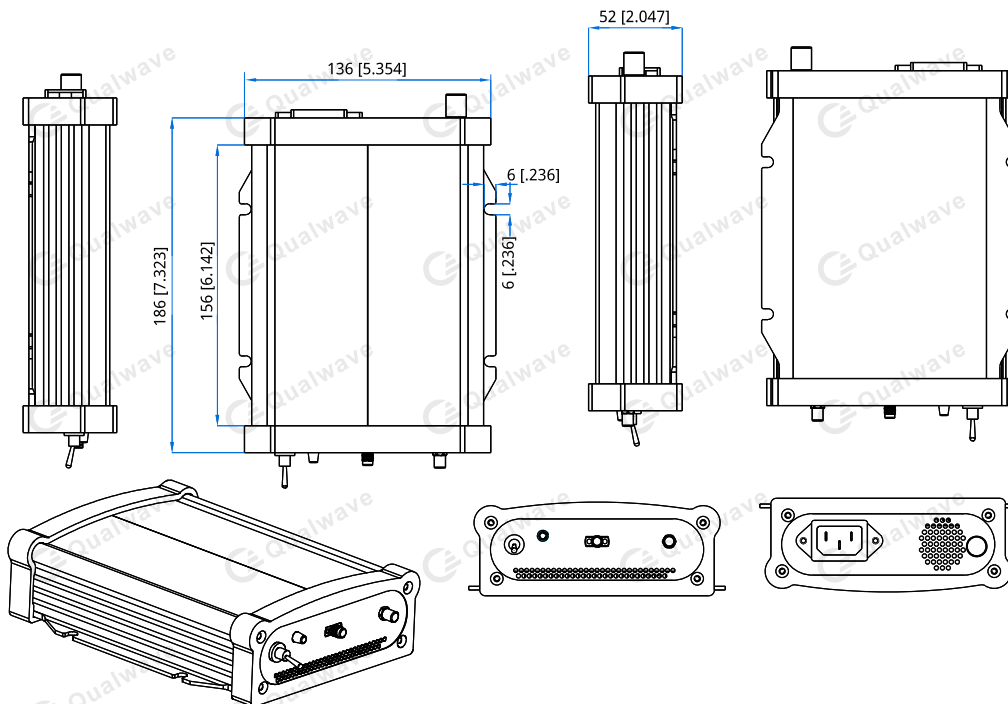
QLAS-700-1100-25-25

Customization is available upon request.

Environmental

Operating Temperature: -20~+50°C
 Non-operating Temperature: -40~+85°C

Outline Drawings



Unit: mm [in]
 Tolerance: ± 0.2 mm [± 0.008 in]