

QLAS-800-18000-25-35

0.8~18GHz, 25dB, 3.5dB

Features:
 * Broad Band
 * Low Noise

Applications:
 * Wireless
 * Receiver
 * Laboratory Test
 * Radar

Electrical

Frequency:	0.8~18GHz
Gain:	25dB min.
Gain Flatness:	±2.5dB typ.
Output Power (P1dB):	+13dBm min.
Noise Figure:	3.5dB typ.
Spurious:	-60dBc max.
VSWR:	2 typ.
Voltage:	+220V ASC
Impedance:	50Ω

Mechanical

Size*1: 136*186*52mm
 5.354*7.323*2.047in

RF Connectors: SMA Female

[1] Exclude connectors, rack mount brackets, handles.

How To Order

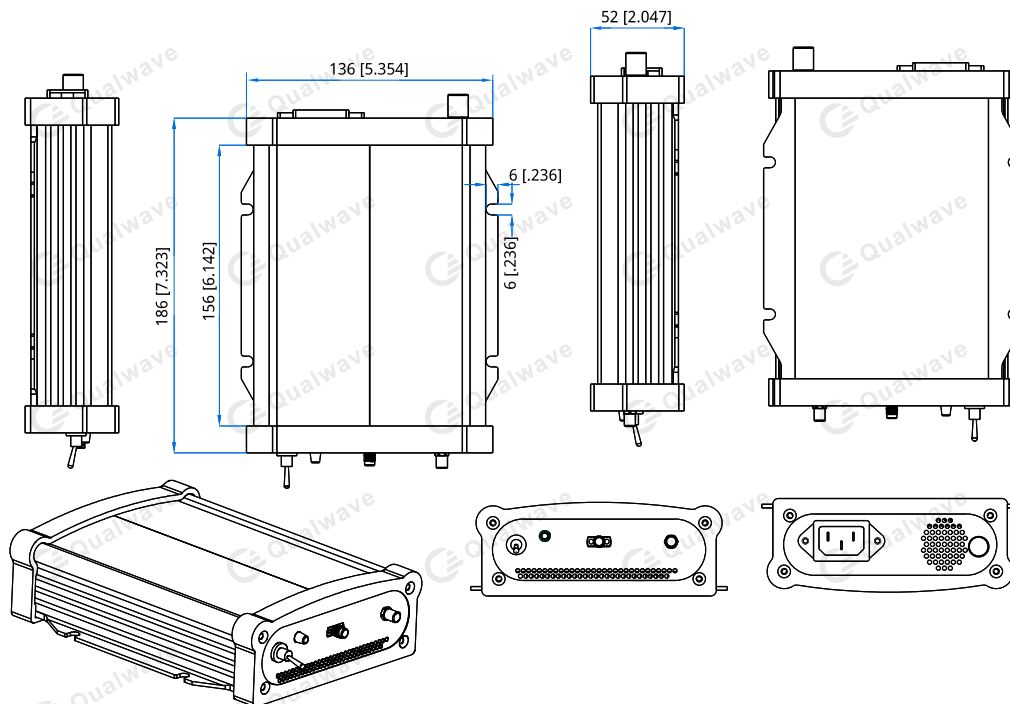
QLAS-800-18000-25-35

Customization is available upon request.

Environmental

Operating Temperature:	-20~+50°C
Non-operating Temperature:	-40~+85°C

Outline Drawings



Unit: mm [in]

Tolerance: ±0.2mm [±0.008in]