

QLA-300-40000-40-55

0.3~40GHz, 40dB, 5.5dB

Features:
 * Broad Band
 * Low Noise

Applications:
 * Wireless
 * Receiver
 * Laboratory Test
 * Radar

Electrical

Frequency:	0.3~40GHz
Small Signal Gain:	40dB min.
Gain Flatness:	±2.5dB typ.
Output Power (P1dB):	14dBm min.
Noise Figure:	5.5dB typ.
Input VSWR:	2.5 max.
Output VSWR:	2.5 max.
Voltage:	+12V DC typ.
Current:	600mA typ.
Impedance:	50Ω
Input Power:	+5dBm max.

Mechanical

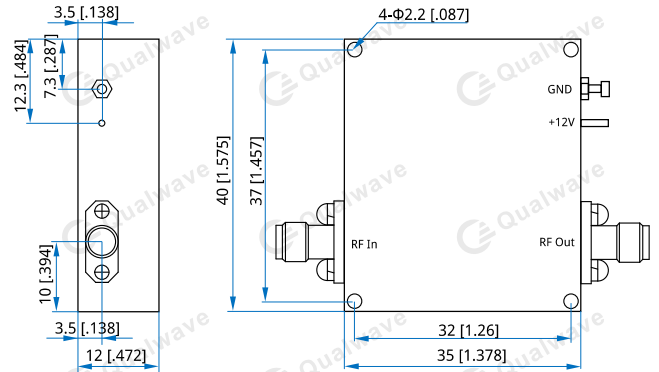
Size ^{*1} :	40*35*12mm 1.575*1.378*0.472in
RF Connectors:	2.92mm Female
Mounting:	4-Φ2.2mm through-hole

[1] Exclude connectors.

Environmental

Operating Temperature:	-40~+70°C
Non-Operating Temperature:	-55~+100°C

Outline Drawings



Unit: mm [in]

Tolerance: ±0.2mm [±0.008in]

How To Order

QLA-300-40000-40-55

Customization is available upon request.