

QLA-500-40000-43-50

0.5~40GHz, 43dB, 5dB

Features:
 * Broad Band
 * Low Noise

Applications:
 * Wireless
 * Receiver
 * Laboratory Test
 * Radar

Electrical

Frequency:	0.5~40GHz
Small Signal Gain:	43dB typ.
Gain Flatness:	±2.5dB typ.
Output Power (P1dB):	+14dBm min.
Noise Figure:	5dB typ.
Spurious:	-60dBc max.
VSWR:	2 typ.
Voltage:	+12V DC
Current:	350mA typ.
Impedance:	50Ω
Input Power:	-15dBm max.

Mechanical

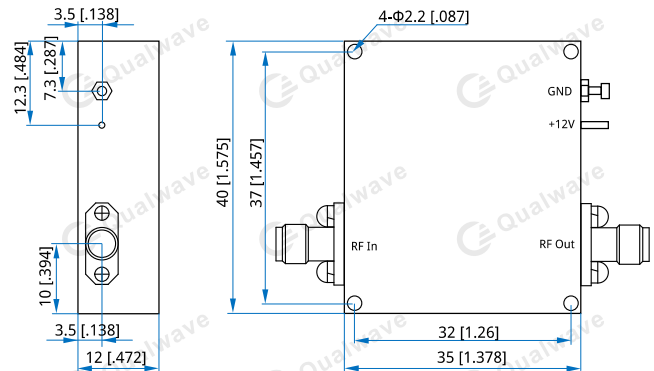
Size ^{*1} :	40*35*12mm 1.575*1.378*0.472in
RF Connectors:	2.92mm Female
Mounting:	4-Φ2.2mm through-hole

[1] Exclude connectors.

Environmental

Operating Temperature:	-45~+85°C
Non-operating Temperature:	-55~+125°C

Outline Drawings



Unit: mm [in]

Tolerance: ±0.2mm [±0.008in]

How To Order

QLA-500-40000-43-50

Customization is available upon request.