

QLF-6000-60

DC~6GHz, 60dB

Features:

- * High Stopband Rejection
- * Small Size

Applications:

- * Telecom
- * Laboratory Test
- * Receivers
- * Instrumentation

Electrical

Frequency:	DC~6GHz
Insertion Loss:	1dB max. @DC~5.8GHz 1.5dB max. @5.8~6GHz
VSWR:	1.3 max.
Stop Band Attenuation:	60dB@6.7~15.5GHz min.
Average Power:	15W max.
Impedance:	50Ω

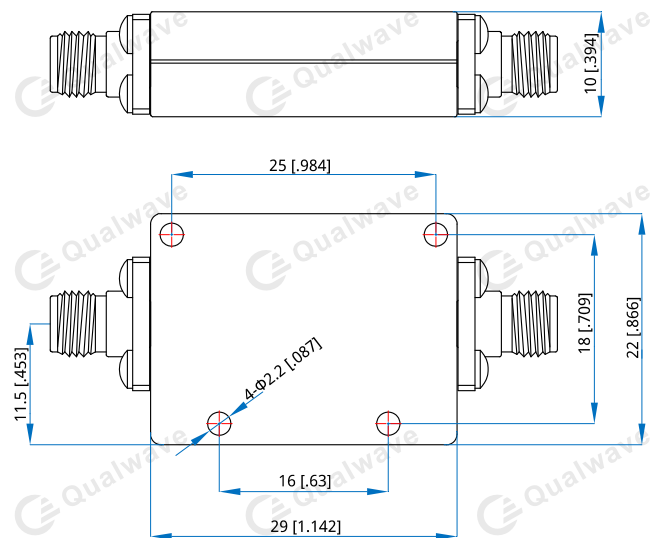
Mechanical

Size ^{*1} :	29*22*10mm 1.142*0.866*0.394in
RF Connectors:	SMA Female
Mounting:	4-Φ2.2mm through-hole

[1] Exclude connectors

Environmental

Operating Temperature:	-55~+85°C
------------------------	-----------

Outline Drawings


Unit: mm [in]

Tolerance: ±0.2mm [±0.008in]

How To Order

QLF-6000-60

Customization is available upon request.