

QMPS180

180°/GHz

Features:
 * Low Insertion Loss
 * High Power
 * High Reliable

Applications:
 * Laboratory Test
 * Transmitter
 * Instrumentation
 * Wireless

Electrical

Frequency: DC~4GHz
 Impedance: 50Ω
 Average Power: 100W
 Peak Power^{*1}: 5KW

[1] Pulse width: 5us, duty cycle: 2%.

Frequency (GHz)	VSWR (max.)	Insertion Loss (dB, max.)	Phase Adjustment ^{*2} (°)
DC~1	1.4	1.0	0~180
DC~2	1.5	1.5	0~360
DC~3	1.5	1.75	0~540
DC~4	1.5	2.0	0~720

[2] Phase shift varies linearly corresponding to the frequency. For example, if the maximum phase shift is 360°@2GHz, the maximum phase shift is 180°@1GHz.

Mechanical

Size^{*3}: 372*76*30.5mm
 14.646*2.992*1.201in
 Size^{*4}: 377*76*50.5mm
 14.843*2.992*1.988in

Weight: 795g

RF Connectors: N Female, SMA Female
 Outer Conductor: Nickle Plated Brass
 Inner Conductor: Gold Plated Beryllium Bronze
 Housing Material: Aluminum

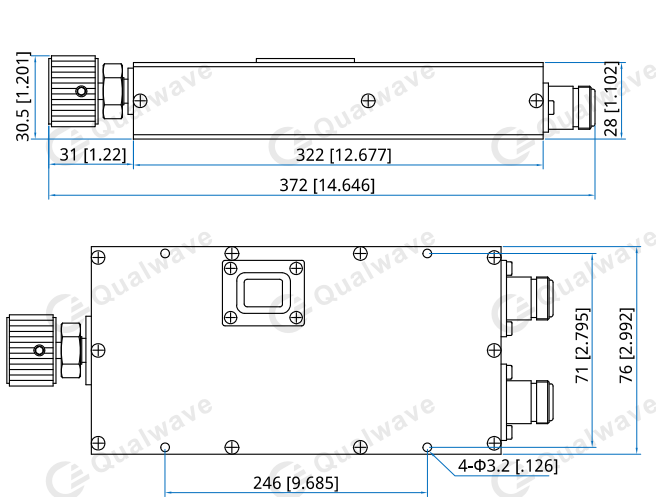
[3] Analog.

[4] Digital.

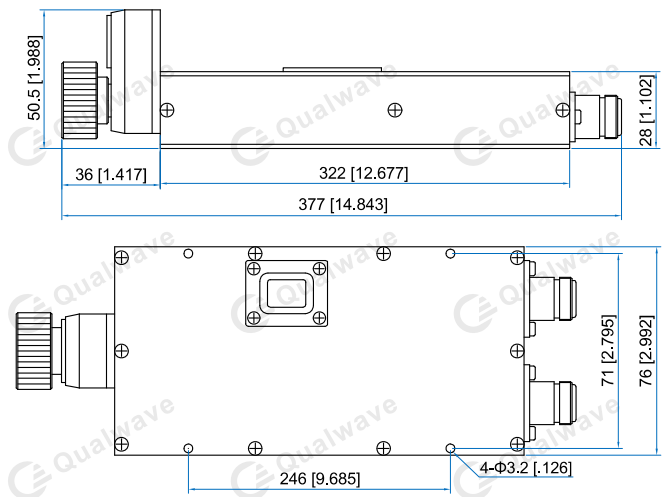
Environmental

Operating Temperature: -10~+50°C
 Non-operating Temperature: -40~+70°C

Outline Drawings



Outline A



Outline B

Unit: mm [in]

Tolerance: ±0.2mm [±0.008in]

How To Order

QMPS180-X-Y-Z

X: Frequency in GHz

Y: Connector type

Z: Display

Examples:

To order a digital phase shifter, DC~3GHz, N female to N female, specify QMPS180-3-N-D.

Customization is available upon request.

Connector naming rules:

S - SMA

N - N

Display naming rules:

A - Analog (Outline A)

D - Digital (Outline B)