

## QCA10-0.5-4-20

0.5~4GHz, 0~20dB, 10W

**Features:**

- \* Low VSWR
- \* High Attenuation Flatness

**Applications:**

- \* Wireless
- \* Transmitter
- \* Laboratory Test
- \* Radar

**Electrical**

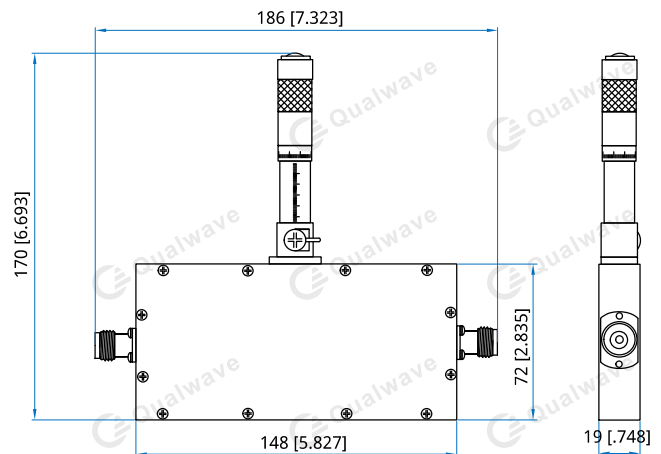
Frequency:	0.5~4GHz
VSWR:	1.6 max.
Attenuation Range:	0~20dB (1~4GHz)
Insertion Loss:	0.5dB max.
Impedance:	50Ω
Average Power:	10W

**Mechanical**

Size*1:	148*72*19mm 5.827*2.835*0.748in
Weight:	590g
RF Connectors:	N Female
Outer Conductor:	Nickel plated brass
Female Inner Conductor:	Gold plated beryllium copper
Housing:	Aluminum

**Environmental**

Temperature:	-40~+65°C
--------------	-----------

**Outline Drawings**


Unit: mm [in]

Tolerance: ±1mm [±0.04in]

**How To Order**

**QCA10-0.5-4-20**

Customization is available upon request.