

QCA75

0.9~4GHz, 0~15dB, 75W

Features:

- * Low VSWR
- * High Attenuation Flatness

Applications:

- * Wireless
- * Transmitter
- * Laboratory Test
- * Radar

Electrical

Frequency:	0.9~4GHz
Band Width:	100, 200MHz
Attenuation Accuracy:	±0.5dB
Attenuation Range:	10, 15dB
Insertion Loss:	1.0dB max.
VSWR:	1.5dB max.
Impedance:	50Ω
Average Power:	75W

Mechanical

Size:	134.4*98*75mm 5.291*3.858*2.953in
Weight:	1.5Kg
RF Connectors:	N Female
Outer Conductor:	Nickel plated brass
Female Inner Conductor:	Gold plated beryllium copper
Housing:	Aluminum
Mounting:	4-Φ5.2mm through-hole

Environmental

Temperature:	-40~+65°C
--------------	-----------

How To Order

QCA75-X-Y-Z

X: Start frequency in GHz

Y: Stop frequency in GHz

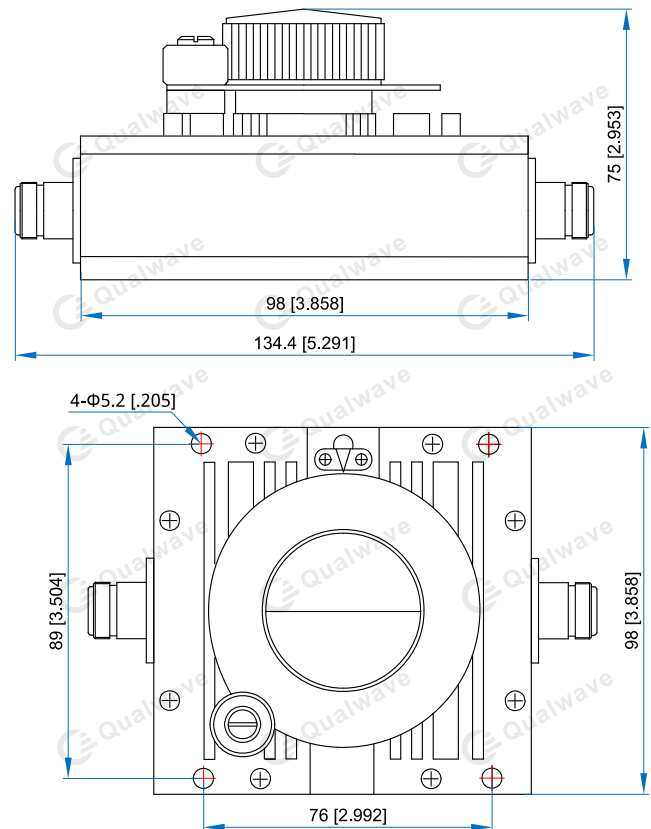
Z: Maximum attenuation in dB

Examples:

To order an attenuator, 2.9~3.1GHz, N female, 0~10dB attenuation, specify QCA75-2.9-3.1-10.

Customization is available upon request.

Outline Drawings



Unit: mm [in]

Tolerance: ±1mm [±0.04in]