

## QSA26B

DC~26.5GHz, 0~70dB

**Features:**

- \* Low VSWR
- \* High Attenuation Flatness

**Applications:**

- \* Wireless
- \* Transmitter
- \* Laboratory Test
- \* Radar

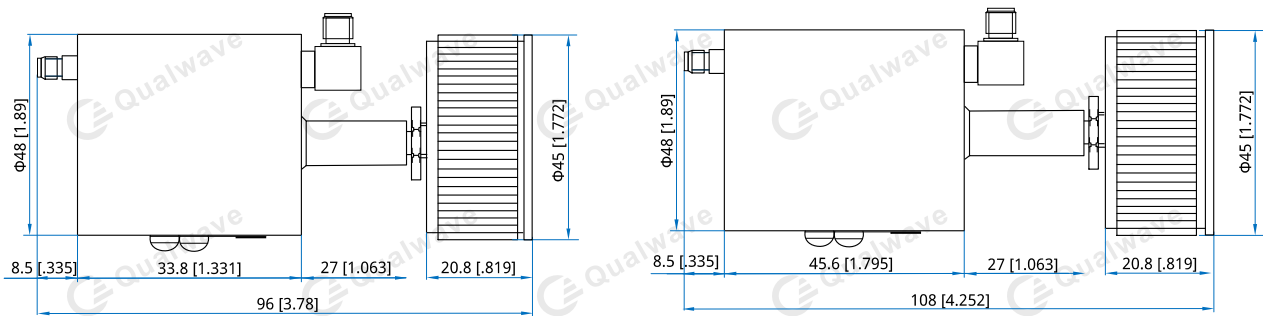
### Description

QSA26B series Rotary Stepped Attenuators cover frequency range DC~26.5GHz. Rotary stepped attenuators can adjust the power level of microwave circuit in a certain frequency range by step.

### Specifications

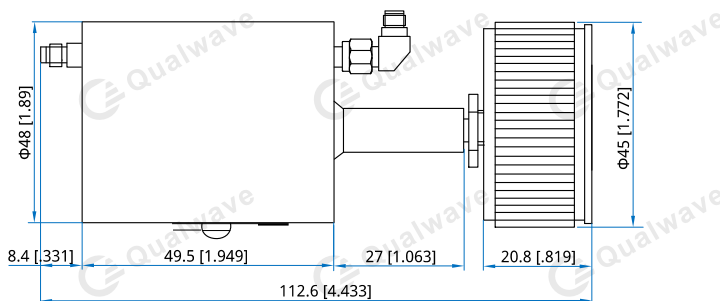
Frequency (GHz)	Attenuation Range/Step (dB)	VSWR (Max.)	IL (dB)	Attenuation Accuracy ( $\pm$ dB)	Avg Power (W)	Connectors	Outline Drawings
DC~26.5	0~9/1	1.75	1.8	1	2		3.5mm
	0~60/10				10	Outline B	
	0~60/10	1.8		1.5 or 4%	10	Outline B	
	0~70/10				25	Outline C	
					25	Outline C	

### Outline Drawings



Outline A

Outline B



Outline C

Unit: mm [inch]

 Tolerance:  $\pm 1$ mm [ $\pm 0.04$ in]

### Electrical

---

Impedance: 50Ω  
Peak Power<sup>\*1</sup>: 200W

[1] Pulse width: 5μs, duty cycle: 2%.

### Mechanical

---

RF Connectors: 3.5mm Female  
Housing Materials: Aluminum

### Environmental

---

Temperature: 0~+54°C

### How To Order

#### QSA26B-W-X-Y-Z

W: Stop Frequency in GHz

X: Maximum attenuation in dB

Y: Power in Watts

Z: Connector type

Connector naming rules:

3 - 3.5mm Female

Examples:

To order an attenuator, DC~26.5GHz, 0~60dB attenuation, 25W, 3.5mm female, specify QSA26B-26.5-60-25-3.

Customization is available upon request.