

# QPA-1805-1880-35-33

## 1.805~1.88GHz, 35dB, 33dBm

**Features:**

- \* Small Size
- \* Low Power Consumption

**Applications:**

- \* Wireless
- \* Transmitter
- \* Laboratory Test

**Electrical**

Frequency:	1.805~1.88GHz
Power Gain:	35dB typ.
Gain Flatness:	±0.75dB typ.
Output Power (P1dB):	33dBm min.
Spurious:	-60dBc typ. (DC~10GHz@Pout=33dBm)
2 <sup>th</sup> Harmonic:	-35dBc typ.
Input VSWR:	1.45 typ.
Output VSWR:	2 typ.
Voltage:	+28V DC
Input Power:	-2dBm typ.

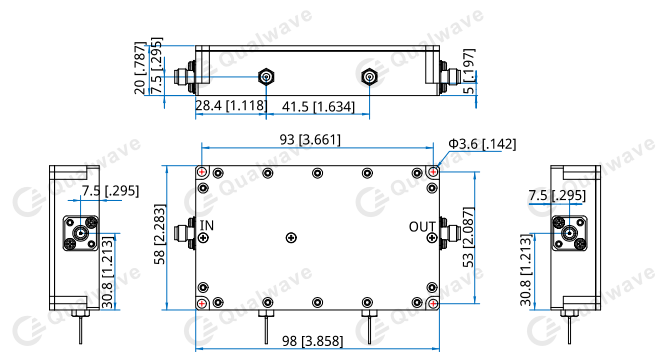
**Mechanical**

Size <sup>*1</sup> :	98*58*20mm 3.858*2.283*0.787in
RF Connectors:	SMA female
Power Supply Interface:	Feed through
Mounting:	4-Φ3.6mm through-hole
Cooling:	Forced Air

[1] Exclude connectors.

**Environmental**

Operating Temperature:	-10~+50°C
------------------------	-----------

**Outline Drawings**


Unit: mm [in]

Tolerance: ±0.2mm [±0.008in]

**How To Order**

**QPA-1805-1880-35-33**

Customization is available upon request.