

QPA-1805-1880-45-40

1805~1880MHz, 45dB, 40dBm

Features:

- * Small Size
- * Low Power Consumption

Applications:

- * Wireless
- * Transmitter
- * Laboratory Test

Electrical

Frequency:	1805~1880MHz
Power Gain:	45dB typ.
Gain Flatness:	±0.75dB typ.
Output Power (P1dB):	40dBm typ.
Spurious:	-60dBc typ. (DC~10GHz@Pout=40dBm)
2 th Harmonic:	-40dBc typ.
Input VSWR:	1.45 typ.
Output VSWR:	2 typ.
Voltage:	+30V DC
Input Power:	-2dBm max.

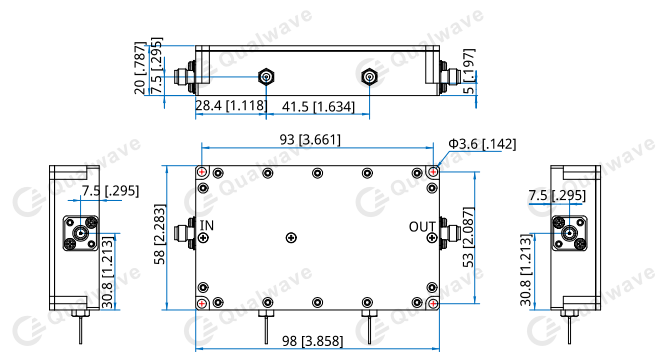
Mechanical

Size ^{*1} :	98*58*20mm 3.858*2.283*0.787in
RF Connectors:	SMA female
Power Supply Interface:	Feed through
Mounting:	4-Φ3.2mm through-hole
Cooling:	Forced Air

[1] Exclude connectors.

Environmental

Operating Temperature:	-10~+50°C
------------------------	-----------

Outline Drawings


Unit: mm [in]

Tolerance: ±0.2mm [±0.008in]

How To Order

QPA-1805-1880-45-40

Customization is available upon request.