

QPA-1920-1960-35-40

1920~1960MHz, 35dB, 40dBm

Features:

- * Small Size
- * Low Power Consumption

Applications:

- * Wireless
- * Transmitter
- * Laboratory Test

Electrical

Frequency:	1920~1960MHz
Power Gain:	35dB min.
Gain Flatness:	±0.5dB typ.
Output Power (P1dB):	40dBm min.
Spurious:	-60dBc typ. (DC~10GHz@Pout=40dBm)
2 th Harmonic:	-35dBc typ.
Input VSWR:	1.45 typ.
Output VSWR:	2 typ.
Voltage:	+220V AC
Input Power:	+7dBm max.

Mechanical

Size ^{*1} :	98*58*20mm 3.858*2.283*0.787in
Size ^{*2} :	60*60*100mm 2.362*2.362*3.937in
RF Connectors:	SMA female
Power Supply Interface:	Feed through
Mounting:	4-Φ3.2mm through-hole
Cooling:	Forced Air

[1] Exclude connectors.

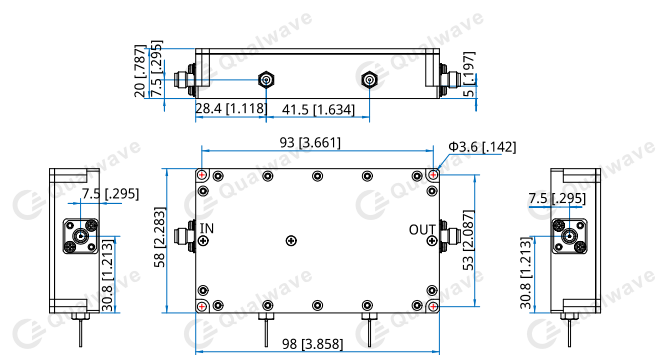
[2] Size of radiator.

Environmental

Operating Temperature:	-10~+50°C
------------------------	-----------

Outline Drawings (Without radiator)

(The following pictures are for reference only, subject to the real object.)



Unit: mm [in]

Tolerance: ±0.2mm [±0.008in]

How To Order

QPA-1920-1960-35-40

Customization is available upon request.