

QPA-2000-6000-40-39

2~6GHz, 40dB, 39dBm

Features:

- * Small Size
- * Low Power Consumption

Applications:

- * Wireless
- * Transmitter
- * Laboratory Test

Electrical

Frequency:	2~6GHz
Gain:	40dB min.
Gain Flatness:	±2.5dB typ.
Output Power (P1dB):	39dBm typ.
Spurious:	-60dBc max.
VSWR:	2 typ.
Voltage:	28V DC
Current:	3.5A typ.
Impedance:	50Ω
EN:	TTL High: On TTL Low/NC: Off
Input Power:	+10dBm max.

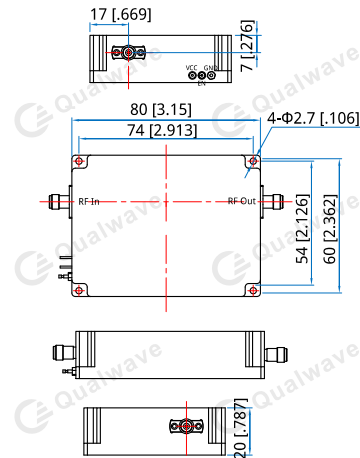
Mechanical

Size ^{*1} :	80*60*20mm 7.784*3.504*0.984in
Weight:	300g max.
RF Connectors:	SMA Female
Mounting:	4-Φ2.7mm through-hole

[1] Exclude connectors.

Environmental

Operating Temperature:	-20~+50°C
Non-operating Temperature:	-40~+85°C

Outline Drawings


Unit: mm [in]
Tolerance: ±0.2mm [±0.008in]

How To Order

QPA-2000-6000-40-39

Customization is available upon request.