

QPA-40000-50000-45-29S

40~50GHz, 45dB, 29dBm

Features:

- * Small Size
- * Low Power Consumption

Applications:

- * Wireless
- * Transmitter
- * Laboratory Test

Electrical

Frequency:	40~50GHz
Gain:	45dB typ.
Gain Flatness:	±2dB max.
Output Power (Psat):	29dBm min.
Input VSWR:	1.8 max.
Output VSWR:	2 max.
Voltage:	5~6V
Power:	20W max.
Protection:	Turn off automatically on temperature or voltage exception.
EN:	TTL High: ON TTL Low/NC: OFF

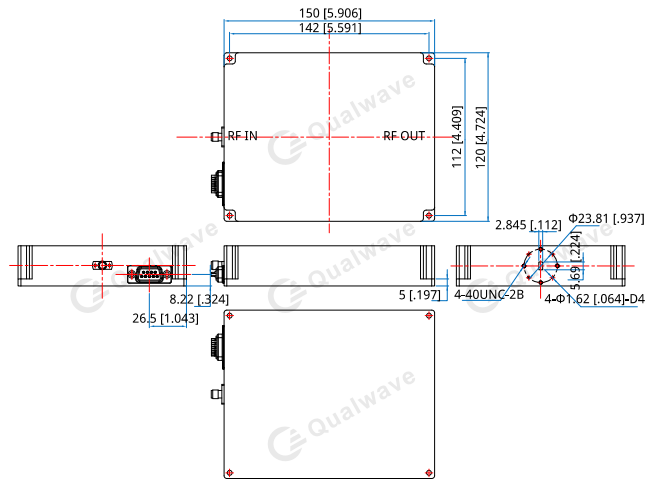
Mechanical

Size*1:	150*120*30mm 2.362*1.969*0.669in
Weight:	1000g max.
RF In Connectors:	2.4mm Female
RF Out Connectors:	WR-22
Cooling:	External Heatsink (supplied on request only)

[1] Exclude connectors.

Environmental

Operating Temperature:	0~+45°C
Non-operating Temperature:	0~+50°C

Outline Drawings


Unit: mm [in]
Tolerance: ±0.2mm [±0.008in]

How To Order

QPA-40000-50000-45-29S

Customization is available upon request.